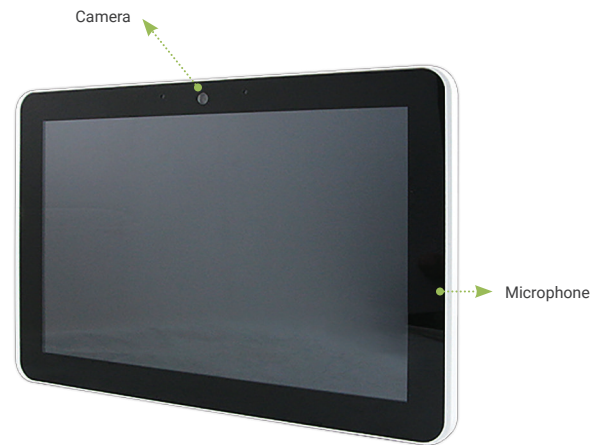


Features

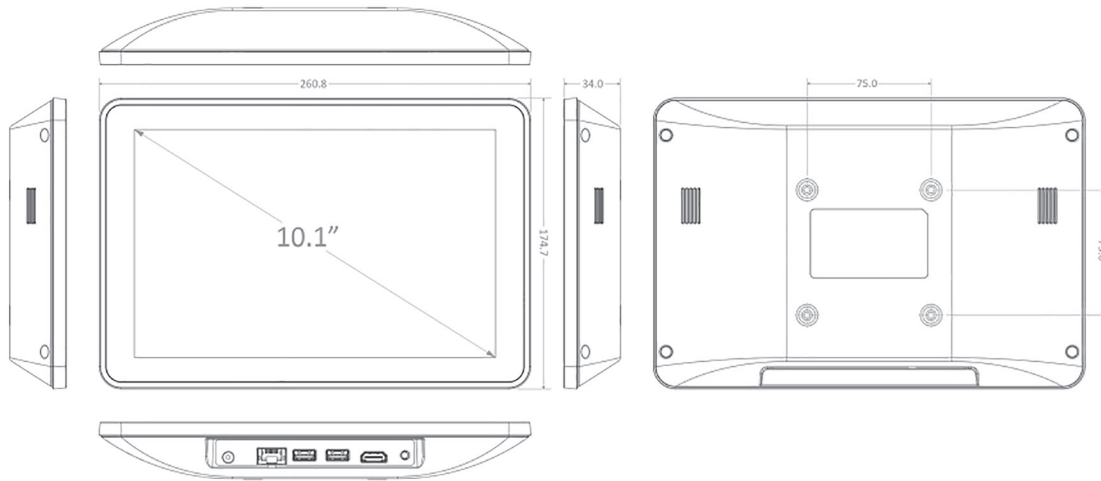
- Onboard Intel Atom Z3735F 1.33GHz Processor
- Onboard 2GB DDR3L Memory
- Onboard 32GB eMMC
- Projective Capacitive Multi-Touch
- Onboard WIFI IEEE802.11 b/g/n
- 2MP camera build-in
- 2W/8 ohm stereo speaker
- Support Windows 10 IoT 32bit / Android 5.1 64bit / Linux Ubuntu 16.04



Specifications

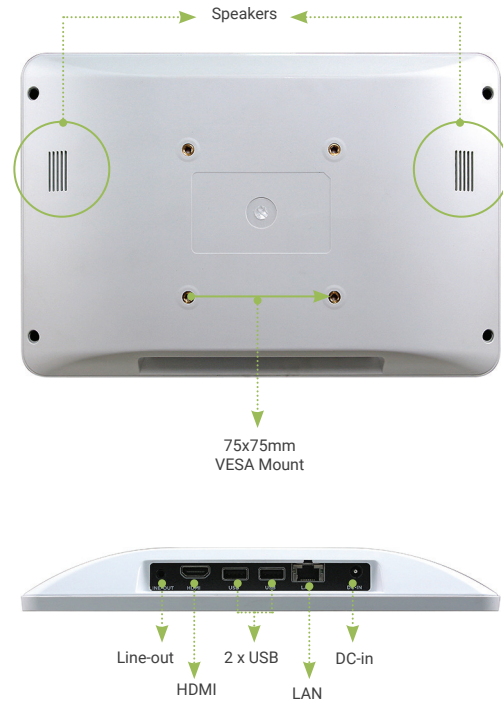
System	
CPU	Onboard Intel® Baytrail T3 Processor Z3735F
System Chipset	Intel Z3735F SoC Integrated
System Memory	Onboard DDR3 2GB
Storage	1 x 32GB eMMC onboard
OS Information	Win10 IoT 32bit Android 5.1 64bit Linux Ubuntu 16.04
Panel	
LCD Size	10.1 inch SXGA
Resolution	1280x800
Pixel Pitch	0.1695 (H) x 0.1695 (V) mm
Luminance	350 Cd/m ²
Contrast Ratio	800
Viewing Angle	85 (U), 85 (D), 85 (L), 85 (R)
Response Time	30ms
Backlight	LED
Touch Type	Projective Capacitive
Touch Light Transmission	86%
Touch Controller	Projective Capacitive Multi-Touch
Display	
Chipset	Intel® Baytrail SoC Integrated Graphics Supports dual display
Resolution	HDMI: Max. resolution 1920x1080 @ 60Hz LVDS: Max. resolution 1280x800 @ 60Hz
Audio	
Chipset	Realtek ALC5645
Interface	Line-Out
Speaker Output	2 x 2W

Ethernet	
Chipset	LAN9514
Interface	10/100 Base-Tx GbE compatible
LAN Port	1 x RJ-45
External I/O	
USB	2 x USB 2.0
Display	1 x HDMI
Audio	1 x Line-out
LAN	1 x RJ-45
Power	DC-in
Power Requirement	
Power Connector	DC Jack
Power Type	AT
Power Requirement	+12V ~ +24V
Adapter	Input: 100~240 Vac/50~60 Hz Output: 40W Adapter (19V @ 2.1A Adapter)



Mechanical and Environment

Operating Temp	0°C ~ 40°C (32°F ~ 104°F)
Storage Temp	-20°C ~ 60°C (-4°F ~ 140°F)
Operating Humidity	0% ~ 90% Relative Humidity, Non-condensing
Weight	1.37 lbs / 0.8 Kgs
Dimension	10.28" x 6.89" x 1.34" (261 x 175 x 34 mm)
System Fan	Fanless
Construction - Front	Plastic
Construction - Rear	Plastic
Certification	CE FCC Class B



Ordering Info

CCD-10W01-WIN	10" Intel Atom Z3735 Panel PC with Win 10
CCD-10W01-LN	10" Intel Atom Z3735 Panel PC with Linux Ubuntu 16.04
CCD-10W01-AN	10" Intel Atom Z3735 Panel PC with Android 5.1

* All product specifications and images are subject to change without notice. Last update: 7/31/2018



BCM Advanced Research

11 Chrysler, Irvine, CA 92618 USA
An industry leader in industrial motherboards & embedded computing

www.bcmcom.com

BCMSales@bcmcom.com
(949) 470-1888