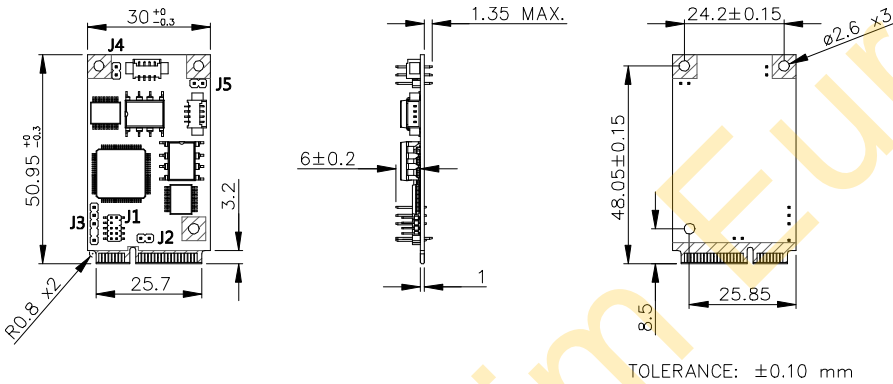


### Features

- CANbus 2.0B backward compatible with 2.0A
- Complies with EN61000-4-5 2.5kV Surge protection
- Complies with IEC 60950-1:2005 + A1: 2009 + A2:2013 2.5kV HiPOT protection
- Complies with EN61000-4-2 (ESD) Air-15kV, Contact-8kV
- Supports -40 to +85 degrees
- Supports 3<sup>rd</sup> mounting hole and USB Pin header for out-of-minicard installation
- Additional driver to support Linux SocketCAN
- LED indicator Power/Error/Active/Link
- Support baud rate 50/125/250/500(default)/1000K
- Termination resistor enabled/disabled by jumper
- 30μ " golden finger, 3 years warranty
- Industrial design, manufactured in Innodisk Taiwan

### Mechanical Drawing



CAN DB9 Connector Pin Define		USB In Pin Define	
1	NC	1	5V
2	CAN-L	2	D-
3	GND	3	D+
4	NC	4	GND
5	NC	CAN Connector Pin Define	
6	NC	1	NC
7	CAN-H	2	CAN-H
8	NC	3	CAN-L
9	NC	4	GND

### Specifications

Form-Factor	mPCIe
Input I/F	USB 2.0
Output I/F	CANbus 2.0B
Output Connector	2 x DB-9
TDP	1.62W (3.3V, 490mA)
Dimension (WxLxH)	30 x 50.9 x 8.35 mm
Temperature	Operation: W/T: -40°C ~ +85°C Storage: -55°C ~ +95°C
Environment	Vibration: 5G @7~2000Hz, Shock: 50G @ 0.5ms
Notes	Please download driver and API(C code Library) from MyInnodisk website. Windows: XP(32bit), 7(32/64bit), 8/8.1(32/64bit), 10(32/64bit) Linux: Native CDC-ACM SocketCAN Driver: 2.6.38 and above, 32/64bit API Supports Windows and Linux.

#### Headquarters (Taiwan)

5F., No.237, Sec. 1, Datong Rd.,  
Xizhi Dist., New Taipei City 221,  
Taiwan

Tel: +886-2-7703-3000  
Email: sales@innodisk.com

#### Branch Offices:

##### USA

usales@innodisk.com  
+1-510-770-9421

##### Europe

eusales@innodisk.com  
+31-040-282-1818

##### Japan

jpsales@innodisk.com  
+81-3-6667-0161

##### China

sales\_cn@innodisk.com  
+86-755-2167-3689

[www.innodisk.com](http://www.innodisk.com)

© 2015 Innodisk Corporation.  
All right reserved. Specifications  
are subject to change without  
prior notice.

March 8, 2017

### Order information

#### EMUC-B201-W1(Wide Temp.)

USB to dual CANBUS Module

[www.texim-europe.com](http://www.texim-europe.com)