

FM07

7inch Windows Vehicle Mounted Computer with M12 connector



KEY FEATURES

- Intel® Celeron® N3350 Apollo Lake, Windows Vehicle Mounted Computer
- 7" 1024 x 600 panel with projected capacitive Multi-Touch screen
- Wide power input 9-36V DC with ignition
- M12 waterproof connectors
- IP65 waterproof and dustproof
- Shock and vibration resistance according to MIL-STD-810G



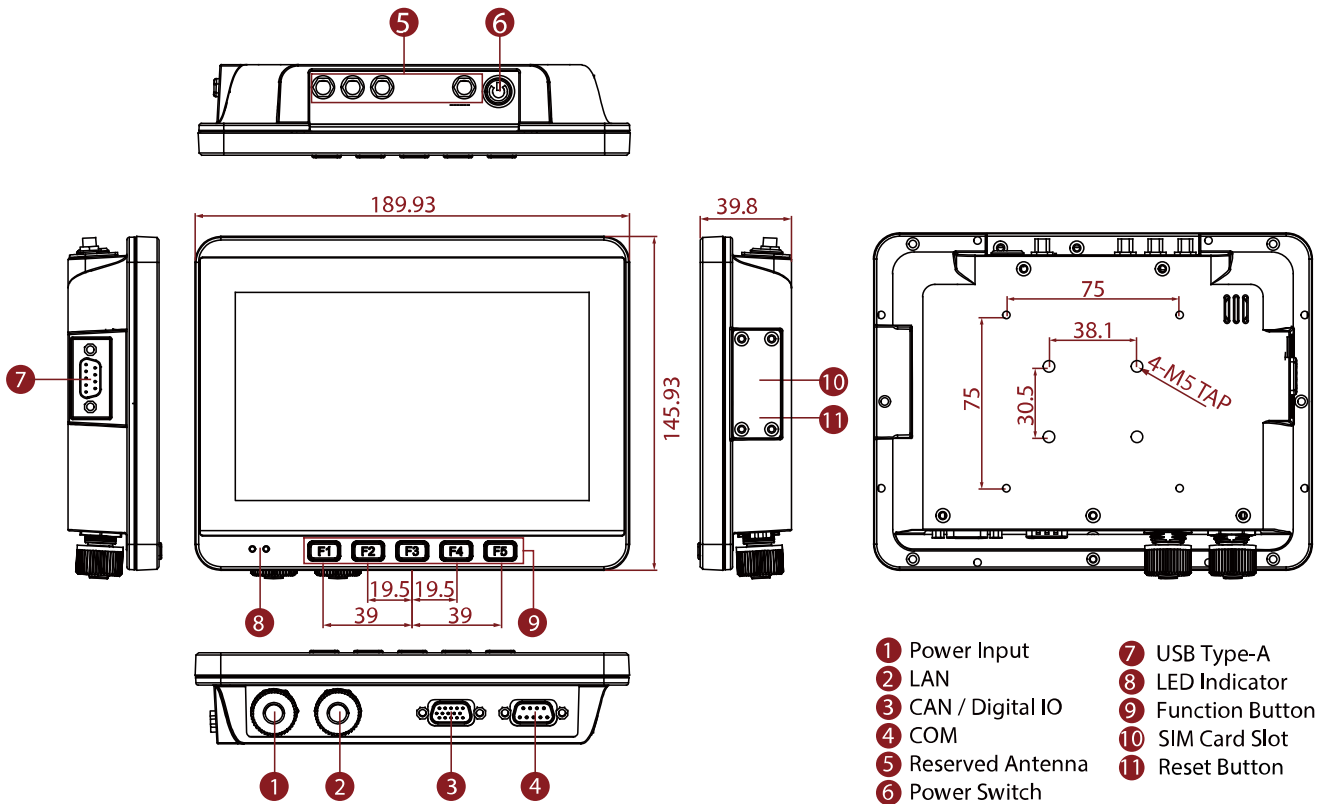
SPECIFICATIONS

Display			
Resolution	1024x600	Size	7 inches
Contrast Ratio	700:1	Panel Brightness	1000 nits
View Angles	75,75,75,70	Active Area	153.6x90 mm
Touch / Glass	Projected Capacitive Multi Touch Screen		
System Specification			
Processor	Intel® Celeron® N3350 (2M Cache, up to 2.4 GHz) Intel® Pentium® N4200 (2M Cache, up to 2.5 GHz) (Optional)	Memory	1 x SO-DIMM, 4GB DDR3L 1600 MHz 1 x SO-DIMM, 8GB DDR3L 1600 MHz (Optional)
Storage	1 x M.2 2242 SSD 128GB	Ethernet controller	1 x Intel® Ethernet Controller I210-AT
Security	TPM 2.0	Operating System	Windows 10 IoT Enterprise Linux Ubuntu 18.04 (Optional)
WLAN	802.11 a/b/g/n/ac mode	BT	BT Support
WWAN	4G/LTE (Optional)	GNSS	GPS/AGPS
Environment			
Operating Humidity	10% to 95% RH	Operating Temperature	-20°C to 60°C
Storage Temperature	-20°C to 60°C	Shock	MIL-STD-810G Method 516.6 Procedure I, 30 g for 18 ms
Vibration	MIL-STD-810G Method 514.6 Procedure I, 1.60/ 1.96/ 2.18 g rms for XYZ/ 5-500 Hz	IP rating	IP65, Dustproof and Waterproof
Certification			
Certification	CE, FCC, E-mark		
IO Ports			
USB Port	2 x USB for DB9	Serial Port	1 x COM Port
SIM Card Slot	1 x SIM Card Slot	Audio	1x Speaker
LAN	1 x Gigabit Ethernet LAN 10/100/100 Mbps (M12 type)	Front Control	5 x Function Key
Indicator	Power, HD	DIDO	DIDO (5XDI ; 3XDO)
CANBUS	2 Port CANBus		
Control			

Button	1 x Power Button, 5x Function Button (Programmable Function Key Configured by Winset)		
Mechanical			
Dimension	190 x 146 x 40 mm	Mounting	RAM Mount
Cooling System	Fanless Design		
Accessory			
Accessory	User Guide Driver CD M12 LAN Cable, 1.8m RS-232 Cable, 1.8m M12 Power Cable, 1.8m USB Cable, 0.3m CANBus Cable, 1.8m Wi-Fi Antenna Power Converter Cable Power Adapter	Optional Accessory	WWAN Antenna x 2 (Optional) Audio Cable, 0.3m (Optional) GPS Antenna, 3m (Optional)
Power			
Power Rating	9V-36V, with ignition control		

DIMENSIONS UNIT:MM

Winmate 7" VMC FM07 VMC



NOTE

1. Total usable memory will be less dependent upon actual system configuration.
2. Length measurements do not include protrusions. Weight varies with options.
3. Accessories may vary depending on your configuration.
4. This is a simplified drawing and some components are not marked in detail.
5. The product shown in this datasheet is a standard model. For diagrams that contain customized or optional I/O, please contact the Winmate Sales Team for more information.