

VC70B-KU

ULT

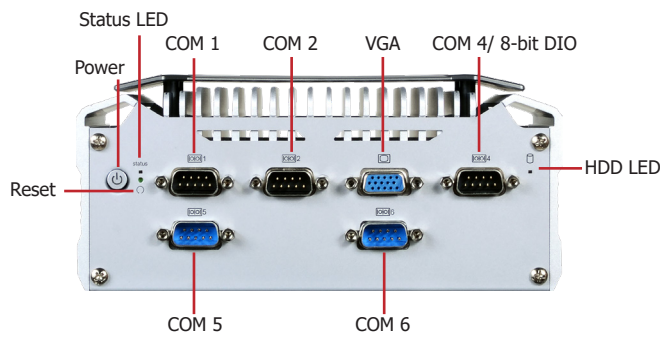


Features

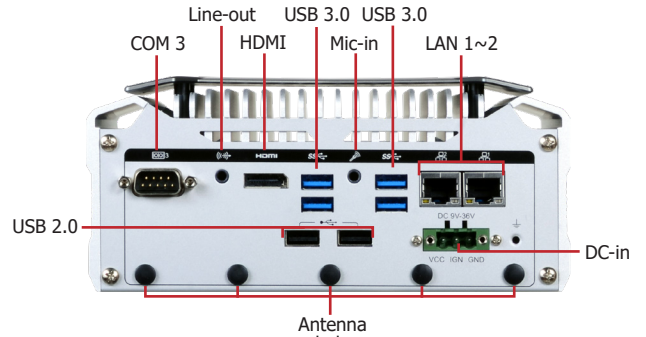
- Compact and Fanless In-Vehicle System
- 4GB/8GB DDR4 memory onboard
- 1x 2.5" SATA 3.0 Drive Bay
- Supports 2 Mini PCIe for Extension Modules
- Rich I/O ports: 2 Intel GbE, 6 COM, 4 USB 3.0, 2 USB 2.0



Panel

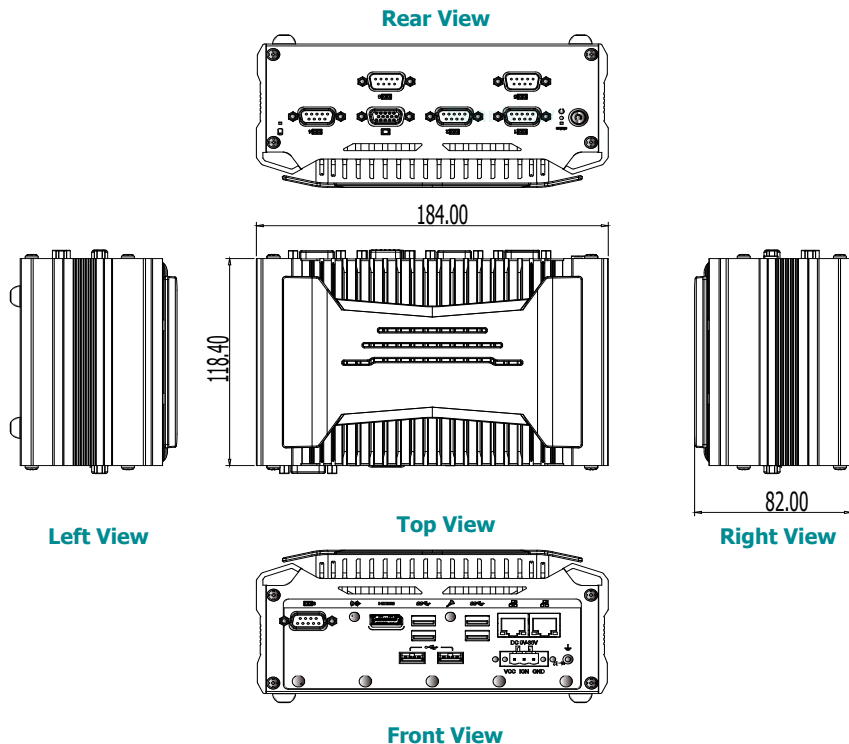


Front View



Rear View

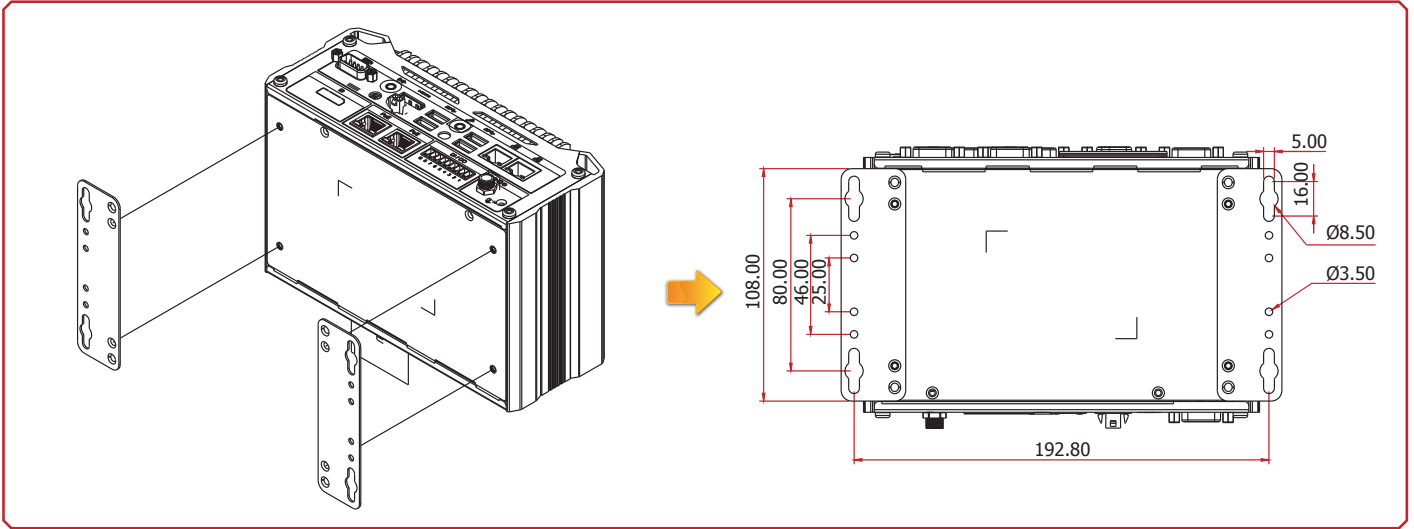
Dimensions



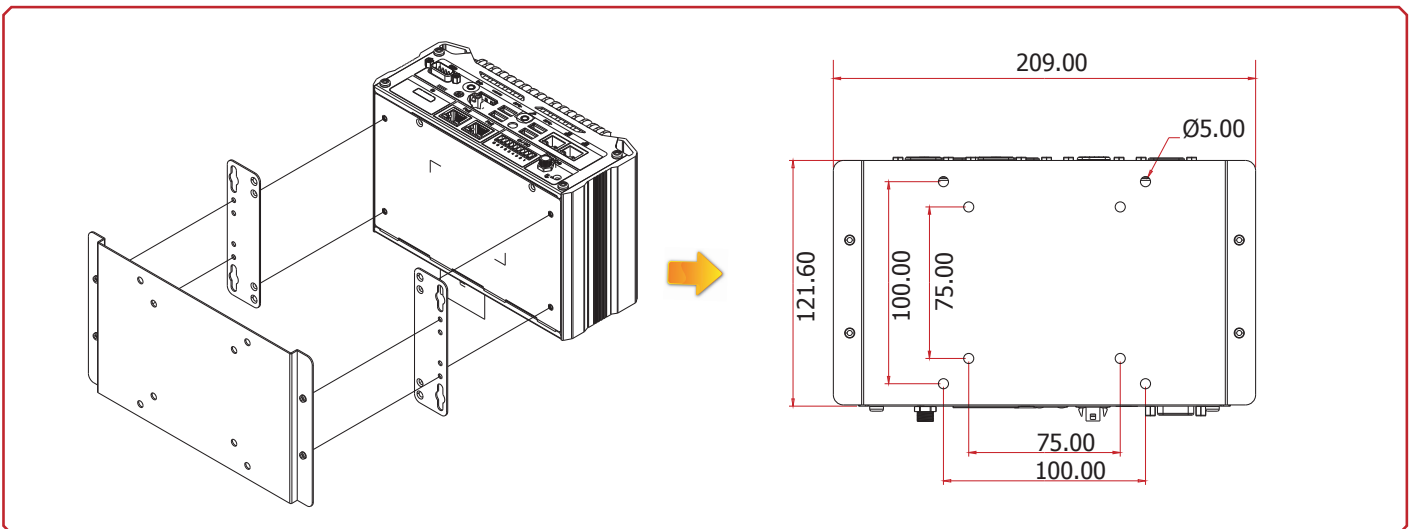
► Specifications

SYSTEM	Processor	7th Generation Intel® Core™ Processors, FCBGA 1356 Intel® Core™ i7-7600U Processor, Dual Core, 4M Cache, 2.8GHz, 15W Intel® Core™ i5-7300U Processor, Dual Core, 3M Cache, 2.6GHz, 15W Intel® Core™ i3-7100U Processor, Dual Core, 3M Cache, 2.4GHz, 15W	
	Memory	4GB/8GB Memory Onboard Dual Channel DDR4 2133MHz	
	BIOS	Insyde SPI 128Mbit	
	GRAPHICS	Controller Intel® HD Graphics GT Series	
	Display	1 x VGA VGA: resolution up to 1920x1200 @ 60Hz 1 x HDMI HDMI: resolution up to 4096x2160 @ 24Hz	
	Dual Displays	VGA + HDMI	
STORAGE		1 x 2.5" SATA 3.0 Drive Bay	
EXPANSION	Interface	1 x Full-size Mini PCIe (PCIe+USB) 1 x Half-size Mini PCIe (PCIe+USB+SATA)	
AUDIO	Audio Codec	Realtek ALC888 5.1-channel	
ETHERNET	Controller	1 x Intel® I210IT (10/100/1000Mbps) 1 x Intel® I219LM (10/100/1000Mbps)	
LED	Indicators	1 x Status LED 1 x HDD LED	
FRONT I/O	Serial	2 x RS-232/422/485 (DB-9, COM 1~2) 3 x RS-232 (DB-9, COM 4~6, COM 4 supports 8-bit DIO or CAN-Bus)	
	Display	1 x VGA	
	Buttons	1 x Power Button 1 x Reset Button	
	REAR I/O	Ethernet	2 x GbE (RJ-45)
	Serial	1 x RS-232 (DB-9, COM 3)	
	USB	4 x USB 3.0 (type A) 2 x USB 2.0 (type A)	
	Display	1 x HDMI	
	Audio	1 x Line-out 1 x Mic-in	
	Wi-Fi Antenna	5 x Wi-Fi Module Antenna Hole	
WATCHDOG TIMER	Output & Interval	System Reset, Programmable via Software from 1 to 255 Seconds	
POWER	Type	9~36V DC-in power with ignition delay on/off	
	Connector	DC Jack	
OS SUPPORT		Windows 10 (64-bit) Windows 10 IoT Enterprise (64-bit) Linux	
MECHANISM	Construction	Aluminum + Sheet Metal	
	Mounting	Wall/VESA/DIN Rail Mount	
	Dimensions (W x H x D)	184mm x 82mm x 118.4mm	
	Weight	1.6 Kg	
ENVIRONMENT	Operating Temperature	-20 to 60°C	
	Storage Temperature	-20 to 85°C	
	Relative Humidity	5 to 95% RH (non-condensing)	
STANDARDS AND CERTIFICATIONS	Shock	MIL-STD 810G 516.6 Operating: 10G, 11ms Non-Operating: 40G, 11ms	
		Vibration	MIL-STD 810G 514.6C-3
		Certification	CE, FCC Class A, RoHS

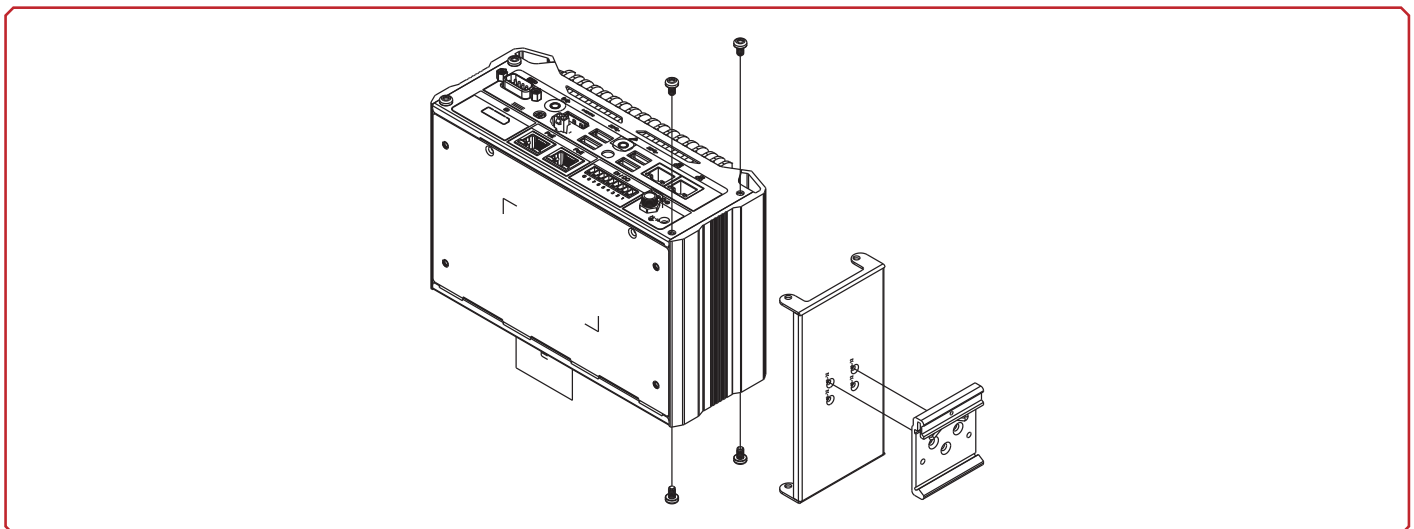
▶ Wall Mounting



▶ VESA Mounting



▶ DIN Rail Mounting



► Ordering Information

Model Name	Part Number	Description
VC70B-KU6862-714	750-VC70B0-000G	Intel Core i3-7100U, 1 HDMI, 1 VGA, 2 LAN, 6 COM, 6 USB, 4GB DDR4 onboard
VC70B-KU6862-738	750-VC70B0-100G	Intel Core i5-7300U, 1 HDMI, 1 VGA, 2 LAN, 6 COM, 6 USB, 8GB DDR4 onboard
VC70B-KU6862-768	750-VC70B0-200G	Intel Core i7-7600U, 1 HDMI, 1 VGA, 2 LAN, 6 COM, 6 USB, 8GB DDR4 onboard

► Optional Items

Optional Items	Part Number	Description
SSD	635-610002-110G	2.5" SATA SSD, 1TB MLC, RoHS
	635-605122-110G	2.5" SATA SSD, 512G MLC, RoHS
	635-602562-120G	2.5" SATA SSD, 256G MLC, RoHS
	635-601282-190G	2.5" SATA SSD, 128G MLC, RoHS
	635-600642-150G	2.5" SATA SSD, 64G MLC, RoHS
mSATA	638-712803-100G	mSATA Card, 128GB MLC, RoHS
	638-706405-110G	mSATA Card, 64GB MLC, RoHS
	638-703206-100G	mSATA Card, 32GB MLC, RoHS
Wi-Fi	761-110091-000G	Wi-Fi Kit, RoHS
3G+GPS	761-110040-600G	3G + GPS Kit, RoHS
Power Adapter	671-112005-100G	120W, 24V/5A for test/validation only
Wall Mount	761-EC8000-000G	EC700/800/70A/80A Wall Mount Kit, RoHS
VESA Mount	761-EC7000-100G	EC700/EC70A/EC70B VESA Mount Kit, RoHS
DIN Rail Mount	761-EC70B0-000G	EC70B DIN Rail Mount Kit, RoHS

► Packing List

• 1 VC70B-KU system unit
• 4 Mounting screws for Mini PCIe module
• 1 Power Connector