

W15L100-PTA3-POE

15.6" PoE Chassis Display



KEY FEATURES

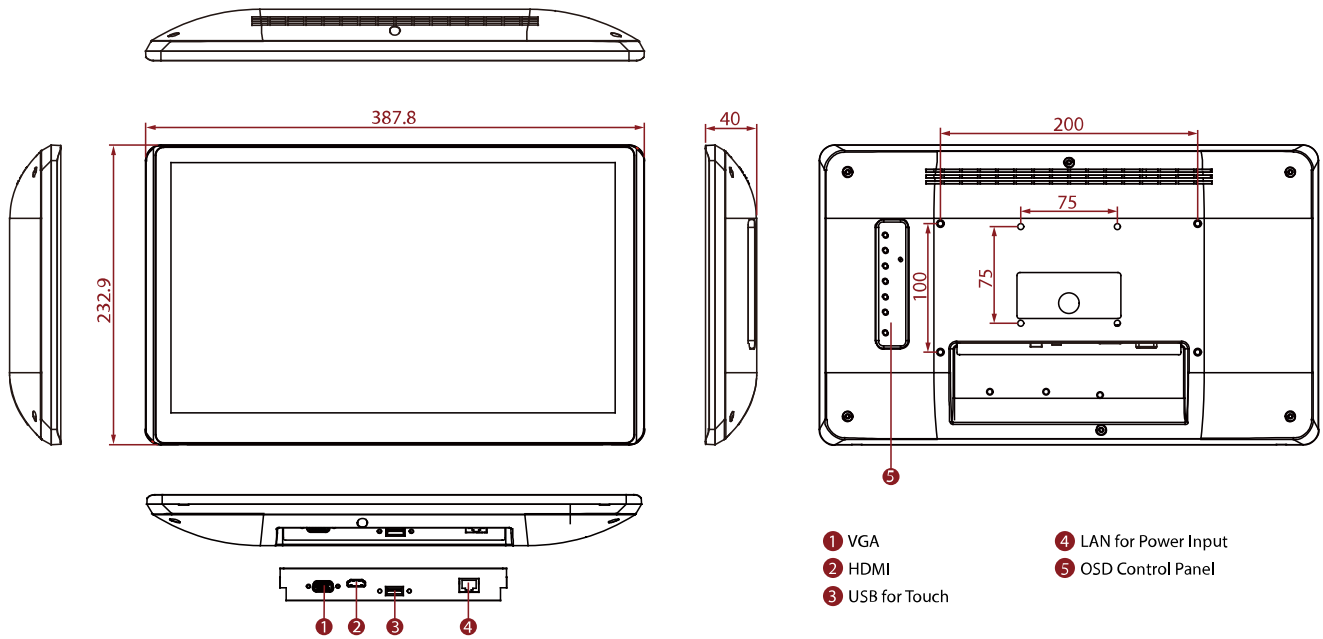
- 15.6" 1920 x 1080 Resolution
- VGA input and HDMI input
- Stylish and elegant design
- Supports PoE
- Front IP65



SPECIFICATIONS

Display	
Resolution	1920x1080
Contrast Ratio	800:1
Display Color	262K Colors
Active Area	344.16 ×193.59 mm
Size	15.6 inches
Panel Brightness	400 nits
View Angles	85,85,85,85
Touch / Glass	Projected Capacitive Multi Touch Screen Protection Glass (Optional)
Environment	
Operating Humidity	10% to 90% (non-condensing)
Storage Temperature	-10~60°C
Operating Temperature	0~50°C
Certification	
Certification	CE, FCC
IO Ports	
USB Port	1 x USB for Touch Screen
Audio	2 x Speaker (Optional)
Video	1 x VGA 1 x HDMI (Optional)
LAN	1 x PoE for Power Input
Mechanical	
Dimension	387.8 x 232.9 x 40 mm
Enclosure	Plastic
Mounting	VESA Mount
Cooling System	Fanless Design
Accessory	
Accessory	1 x USB Cable for Touch 1 x VGA Cable 1 x HDMI Cable
Power	
POE	Power Device (PD) follows IEEE 802.3at (25 W), IEEE 802.3af (15 W)
Control	
Button	7 Keys: Enter, Exit, Right, Left, Up, Down, Power

DIMENSIONS UNIT:MM



NOTE

1. This is a simplified drawing and some components are not marked in detail.
2. Please contact our sales representative if you need further product information.
3. All specifications are subject to change without prior notice.
4. The product shown in this datasheet is a standard model. For diagrams that contain customized or optional I/O, please contact the Winmate Sales Team for more information.