

# Product Change Notification

Document No. PCN-A-20240823 Revision 1.0

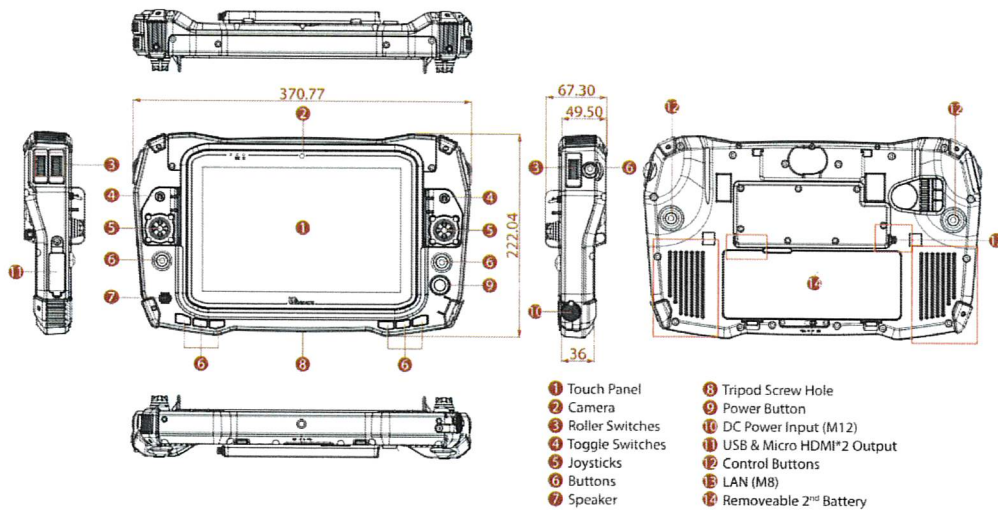
**PCN TOPIC:** G101TG improve mechanical design

**PCN Type:** Product design change

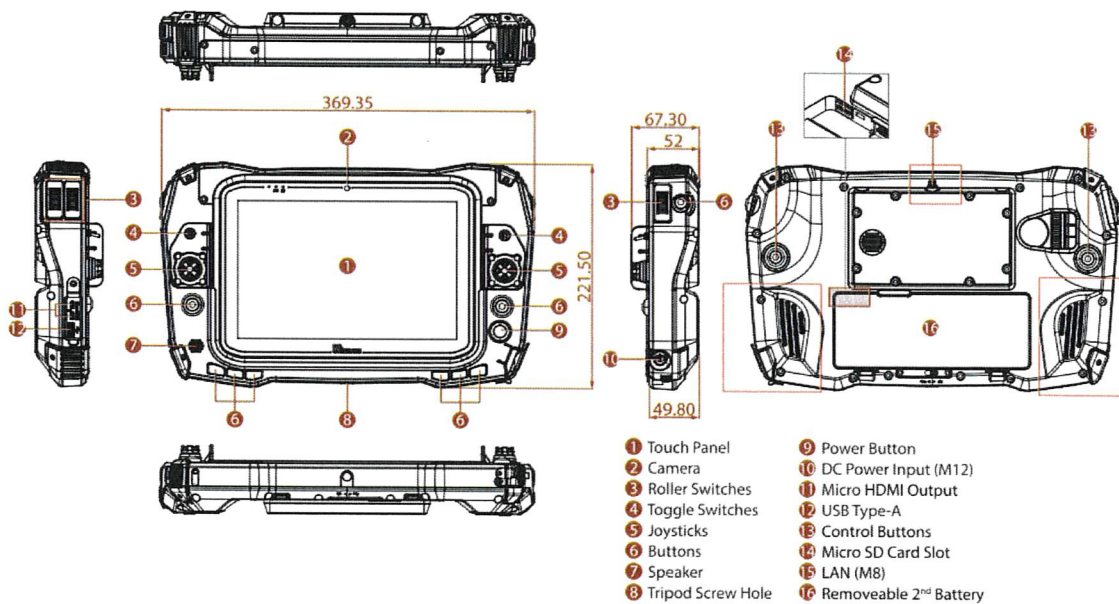
**Change Detail Descriptions:**

- Add hand grip design
- Add SD card slot
- M8 LAN connector direction changes from side to top

## Old Dimension



## New Dimension



**Change and Impact:**

Device Driver Changes: **No**

Software: OS Image Changes: **No**

Hardware Changes: **Yes**

Mechanical Changes: **Yes**

Firmware Changes: **No**

**Change Effective Date: 20240823**

**Implementation type: Running changes**

**PCN Release Date: 2024.08.23**

**ISSUED BY:** Armin (Initial PM)

**APPROVED BY:** [Signature] (PM Lead)

**APPROVED BY:** [Signature] (PM Head)

**APPROVED BY:** [Signature] (Sales Lead)

**APPROVED BY:** [Signature] (Marketing Lead)



*Handwritten initials/signature*

If you have any further questions or clarification needed for this PCN, please feel free to contact Winmate Reseller or your contact windows of Winmate Sales Representatives. Or you can feedback to [Sales@winmate.com.tw](mailto:Sales@winmate.com.tw) email.