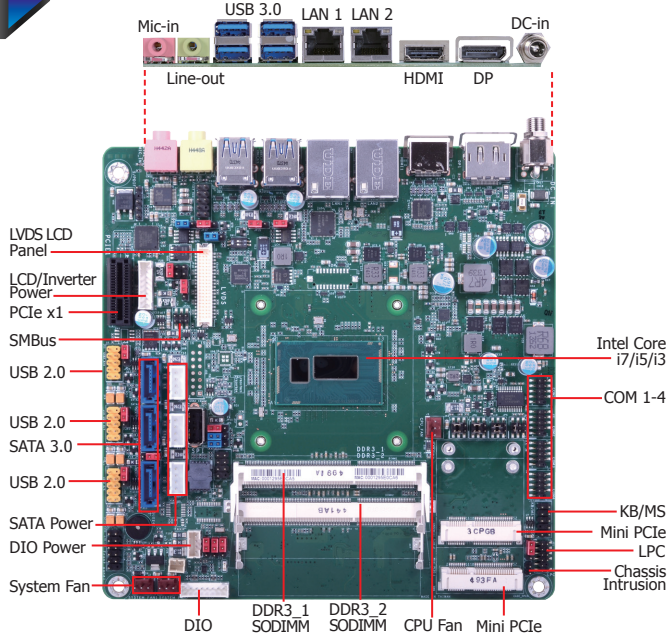




HU171/HU173

ULT



* The photos above refer to HU173.



Model Name	Power
HU171	12V DC-in
HU173	19~24V DC-in

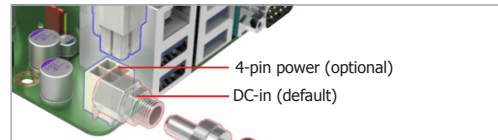
Features

MEMORY	2 DDR3L SODIMM up to 16GB
EXPANSION	1 PCIe x1 2 Mini PCIe
DISPLAY OUTPUTS	1 HDMI, 1 DP, 1 LVDS**/VGA/eDP
LAN	2 LAN
COM	4 COM
USB	10 USB: 4 USB 3.0, 6 USB 2.0
STORAGE	3 SATA 3.0
DIO	8-bit DIO

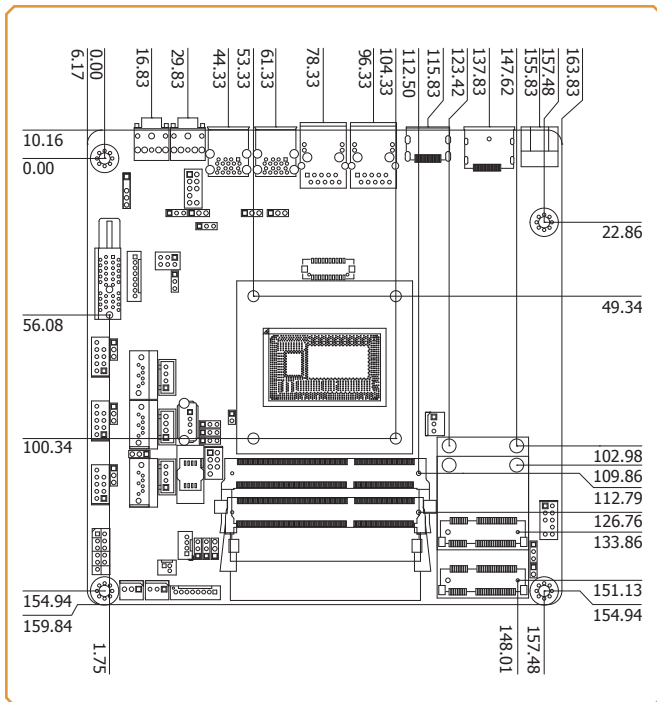
** Populated by default



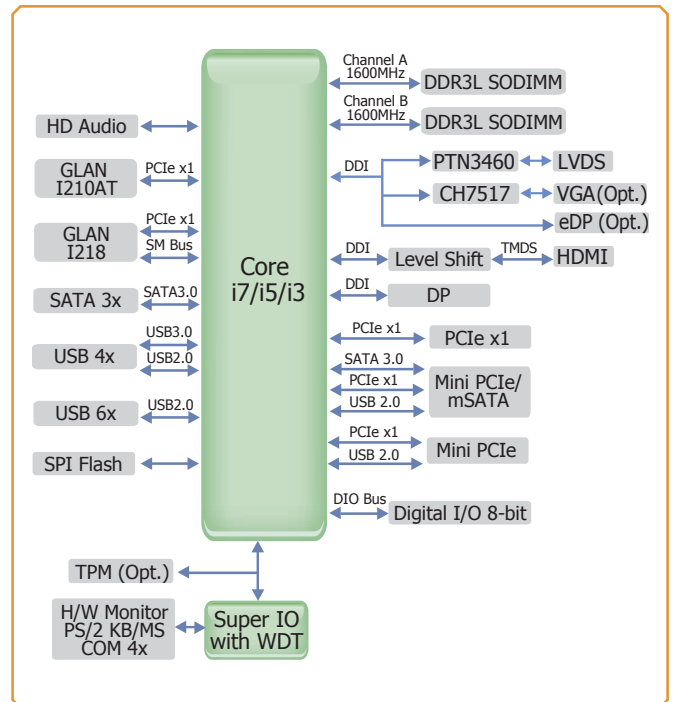
Power Connector



Mechanical Drawing



Block Diagram



HU171/HU173

► Specifications * Optional and is not supported in standard model. Please contact your sales representative for more information.

PROCESSOR

- 4th generation Intel® Core™ processors
- BGA 1168 packaging technology
- 22nm process technology
- Please refer to the Ordering Information below

SYSTEM MEMORY

- Two 204-pin SODIMM sockets
- Supports DDR3L 1333/1600MHz
- Supports up to 16GB system memory
- Supports dual channel memory interface
- DRAM device technologies: 1Gb, 2Gb and 4Gb DDR3L DRAM technologies are supported for x8 and x16 devices, unbuffered, non-ECC

EXPANSION SLOTS

- 1 PCIe x1 slot
- 2 Mini PCIe slots
 - 1 full size supports USB, PCIe and mSATA signals
 - 1 half size supports USB and PCIe signals

ONBOARD GRAPHICS FEATURES

- Intel® HD Graphics GT series
- Display ports: 1 HDMI, 1 DP, 1 LVDS(default)/VGA/eDP
- HDMI: resolution up to 4096x2304 @ 24Hz or 2560x1600 @ 60Hz
- DP: supports DP++, resolution up to 3200x2000 @ 60Hz
- LVDS: NXP PTN3460, 24-bit, dual channel, resolution up to 1920x1200 @ 60Hz
- VGA: resolution up to 1920x1200 @ 60Hz
- Intel® Clear Video Technology
- Intel® Advanced Vector Extensions 2.0 (Intel® AVX 2.0) Instructions
- Supports DirectX 11.1, OpenGL 4.0, OpenCL 1.2

ONBOARD AUDIO FEATURES

- Realtek ALC888 5.1-channel High Definition Audio
- S/PDIF audio interface

ONBOARD LAN FEATURES

- Intel® I210 PCI Express Gigabit Ethernet controller
- Intel® I218 with iAMT9.5 Gigabit Ethernet Phy
- Integrated 10/100/1000 transceiver
- Fully compliant with IEEE 802.3, IEEE 802.3u, IEEE 802.3ab

SERIAL ATA INTERFACE

- 3 SATA 3.0 ports with data transfer rate up to 6Gb/s
 - SATA port 2 provides adequate space for SATA DOM
- Integrated Advanced Host Controller Interface (AHCI) controller
- Supports RAID 0/1/5
- Supports Intel® Smart Response Technology

INTEL ACTIVE MANAGEMENT TECHNOLOGY (AMT)

- Supports iAMT9.5
- Out-of-band system access
- Remote troubleshooting and recovery
- Hardware-based agent presence checking
- Proactive alerting
- Remote hardware and software asset tracking

TRUSTED PLATFORM MODULE (TPM)*

- Provides a Trusted PC for secure transactions
- Provides software license protection, enforcement and password protection

WATCHDOG TIMER

- Watchdog timeout programmable via software from 1 to 255 seconds

REAR PANEL I/O PORTS

- 1 12V (HU171) or 19~24V (HU173) DC-in jack or 4-pin power connector*
- 1 HDMI port
- 1 DP port
- 2 RJ45 LAN ports
- 4 USB 3.0 ports
- Line-out and mic-in jacks

► Ordering Information

Model Name	Processor	SODIMM	RS232	RS232/422/485	Power	Thermal	Temperature
HU171-N-4650U	Intel® Core™ i7-4650U, 4M Cache, 1.7GHz (3.3GHz), 15W	2 (16GB)	3	1	12V DC-in	Cooler	0°C to 60°C
HU171-N-4300U	Intel® Core™ i5-4300U, 3M Cache, 1.9GHz (2.9GHz), 15W	2 (16GB)	3	1	12V DC-in	Cooler	0°C to 60°C
HU171-N-4010U	Intel® Core™ i3-4010U, 3M Cache, 1.7GHz, 15W	2 (16GB)	3	1	12V DC-in	Cooler	0°C to 60°C
HU171-N-2980U	Intel® Celeron® 2980U, 2M Cache, 1.6GHz, 15W	2 (16GB)	3	1	12V DC-in	Cooler	0°C to 60°C
HU173-N-4650U	Intel® Core™ i7-4650U, 4M Cache, 1.7GHz (3.3GHz), 15W	2 (16GB)	3	1	19~24V DC-in	Cooler	0°C to 60°C
HU173-N-4300U	Intel® Core™ i5-4300U, 3M Cache, 1.9GHz (2.9GHz), 15W	2 (16GB)	3	1	19~24V DC-in	Cooler	0°C to 60°C
HU173-N-4010U	Intel® Core™ i3-4010U, 3M Cache, 1.7GHz, 15W	2 (16GB)	3	1	19~24V DC-in	Cooler	0°C to 60°C
HU173-N-2980U	Intel® Celeron® 2980U, 2M Cache, 1.6GHz, 15W	2 (16GB)	3	1	19~24V DC-in	Cooler	0°C to 60°C

► Packing List

- 1 HU171/HU173 motherboard
- 1 Serial ATA data with power cable: A81-002013-000G
- 1 DVD
- 1 Heat sink with fan: A71-108002-000G

I/O CONNECTORS

- 3 connectors for 6 external USB 2.0 ports
- 1 vertical USB 2.0/1.1 port*
- 4 connectors for 4 external serial ports (2.0mm pitch)
 - 1 RS232/422/485 (RS232 and/or power)
 - 3 RS232
- 1 LVDS LCD panel connector
- 1 LCD/inverter power connector
- 1 eDP connector*
 - EXT-DP riser card supports 1 external DP port*
- 1 VGA connector*
- 1 8-bit DIO connector
- 1 DIO power connector
- 1 front audio connector for line-out and mic-in jacks
- 1 S/PDIF connector
- 1 PS/2 connector for keyboard/mouse port
- 1 LPC connector
- 1 SMBus connector
- 3 Serial ATA connectors
- 3 Serial ATA power connectors
- 1 front panel connector
- 1 chassis intrusion connector
- 3 fan connectors

BIOS

- AMI BIOS
- 64Mbit SPI BIOS

ENERGY EFFICIENT DESIGN

- Supports ErP Lot6 power saving*
- Supports ACPI
- System Power Management
- Wake-On-Events include:
 - Wake-On-PS/2 KB/Mouse*
 - Wake-On-USB KB/Mouse*
 - Wake-On-LAN
 - RTC timer to power-on the system
- AC power failure recovery

DAMAGE FREE INTELLIGENCE

- Monitors CPU/system temperature and overheat alarm
- Monitors VCore/12V/5V/DDR voltages and failure alarm
- Monitors CPU/system fan speed and failure alarm
- Read back capability that displays temperature, voltage and fan speed

POWER CONSUMPTION

- HU171-N-4650U: 25.92W with i7-4650U at 1.7GHz and 1x 8GB DDR3 SODIMM
- HU173-N-4650U: 28.34W with i7-4650U at 1.7GHz and 2x 4GB DDR3L SODIMM

OS SUPPORT

- Windows 7 Ultimate x86 & SP1 (32-bit)
- Windows 7 Ultimate x64 & SP1 (64-bit)
- Windows 8 Enterprise x86 (32-bit)
- Windows 8 Enterprise x64 (64-bit)
- Windows 8.1 Enterprise x86 (32-bit)
- Windows 8.1 Enterprise x64 (64-bit)
- Windows 8.1 Embedded Pro x86 (32-bit)
- Windows 8.1 Embedded Pro x64 (64-bit)

TEMPERATURE

- Operating: 0°C to 60°C
- Storage: -20°C to 85°C

HUMIDITY

- 5% to 90%

MTBF

- 256,261 hrs @ 25°C; 123,864 hrs @ 45°C
- Calculation model: Telcordia Issue 2, Method I Case 3
- Environment: GB, GC – Ground Benign, Controlled

DIMENSIONS

- Mini-ITX form factor
- 170mm (6.7") x 170mm (6.7")

CERTIFICATION

- CE, FCC Class B, RoHS, UL

► Optional Items

- USB port cable: 332-253010-026G
- COM port cable: A81-015011-001G
- Serial ATA data with power cable: A81-002013-000G
- Power adapter (100W, 12V, Level 6) : 671-110002-100G
- Power adapter (120W, 19V, Level 6) : 671-110003-100G
- EXT-DP riser card: 770-EXTDP1-000G