

W15L100-PTA3-ME

15.6" Multi-Touch Color Surgical Display



KEY FEATURES

- 15.6" 1920 x 1080 Multi-Touch Color Surgical Display
- Projected Capacitive Multi-touch
- VGA input and HDMI input
- Stylish and elegant design
- Housing with antimicrobial properties
- Front IP65 Multi-Touch Color Surgical Display

INTRODUCTION

Winmate Multi-Touch Color Surgical Display Series offers advanced display solutions tailored for medical applications, available in sizes ranging from 15.6" to 32". With native resolutions up to 3840 x 2160, Projected Capacitive Multi-Touch (PCAP) technology, and antimicrobial housing, these displays ensure precision and hygiene in surgical settings. Featuring front IP65 protection, fanless and ventless designs, and versatile connectivity options including VGA, HDMI, and DP, this series is ideal for operating rooms, diagnostics, and clinical environments requiring reliability and clarity.

OVERVIEW



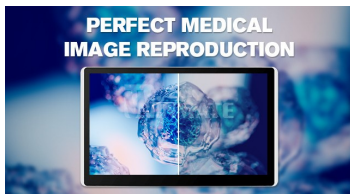
Healthcare Approved

Winmate's Healthcare Display complies with several international healthcare and patient safety standards ISO13485. These displays can be found in health centers, clinical research laboratories, and patient care units. Plus, the antimicrobial housing helps to prevent the spread of bacteria and contaminants.

Easy-to-clean Surface

The flat surface simplifies the disinfection process. Cleaning liquids can be used on the screen to maximize safety and hygiene. Plus, white-colored housing makes it easy for users to detect and remove dust or other foreign substances.





Perfect Medical Image Reproduction

The high-resolution LCD screen with wide-viewing angles offers sharp and bright images to deliver spectacular contrast and colors for surgical operations, diagnosis, and clinical review applications.

Ergonomic Design and Easy Installation

The display features a sleek, lightweight design that is compatible with VESA mounting options. The low-cost installation of these displays can be used in a broad range of applications. The display can be installed vertically or horizontally to suit any environment.



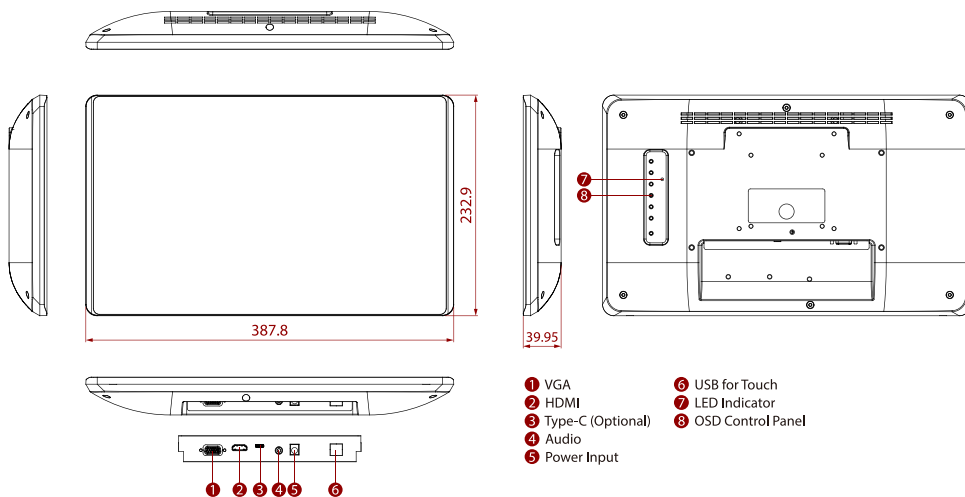
Intuitive User Controls

The PCAP multi-touch technology allows the use of multiple fingers at the same time. Take full advantage of the multi-touch screen and scroll, tap, zoom in or zoom out of medical images for precise diagnostics and better prevention measures.

SPECIFICATIONS

Display			
Resolution	1920x1080	Size	15.6 inches
Contrast Ratio	800:1	Panel Brightness	400.0 nits
Display Color	262K Colors	View Angles	85,85,85,85
Active Area	344.16x193.59 mm	Touch / Glass	Projected Capacitive Multi Touch Screen (AG)
Environment			
Operating Humidity	10% to 90% RH, non-condensing	Operating Temperature	0°C~40°C
Storage Temperature	-20°C~60°C		
Certification			
Certification	IEC/EN 60601-1 IEC 60601-1-2:2014/AMD:2020 IEC60601-1-6 +IEC62366 EN 60601-1-2:2015/A1:2021 EN55032/35, FCC Part15B, ICE-003 ISO14971 RoHS-2, REACH, WEEE compliant		
IO Ports			
USB Port	1 x USB for Touch Screen 1 x USB Type-C (Alt mode 5V/3A) (Optional)	Video	1 x VGA 1 x HDMI (Optional)
Audio	1 x Audio Line In 2 x Speaker (Optional)		
Mechanical			
Dimension	388 x 233 x 40 mm	Weight	1.6 kg
Mounting	VESA mount	Enclosure	Plastic
Cooling System	Fanless Design		
Accessory			
Accessory	1 x VGA cable 1 x HDMI cable 100~240V AC to DC Adapter Power Cord Manual VESA screws(Varies by product)		
Power			
Power Rating	12V DC in USB Type-C Alt mode (5V/3A) (Optional)		
Control			
Button	7 Keys: Enter, Exit, Right, Left, Up, Down, Power		

DIMENSIONS UNIT:MM



NOTE

1. This is a simplified drawing and some components are not marked in detail.
2. Please contact our sales representative if you need further product information.
3. All specifications are subject to change without prior notice.
4. The product shown in this datasheet is a standard model. For diagrams that contain customized or optional I/O, please contact the Winmate Sales Team for more information.