



EGPV-1101

M.2 to Single HDMI or DVI-D Module |
M.2 to 24 / 48bit LVDS Module

HIGHLIGHT FEATURES

- Supports display output of HDMI 1.4 or DVI-D, 24 or 48bit LVDS channel
- Single HDMI display resolution up to 4K UHD (3840 x 2160 @30p)
- Single DVI-D display resolution up to FHD (1920 x 1080 @60p)
- LVDS display resolution up to FHD (1920 x 1080 @60p)
- Built-in 256MB DDR3 memory
- Supports operating temperature from -40°C to 85°C
- 30μ" golden finger, 3-year warranty

SPECIFICATIONS

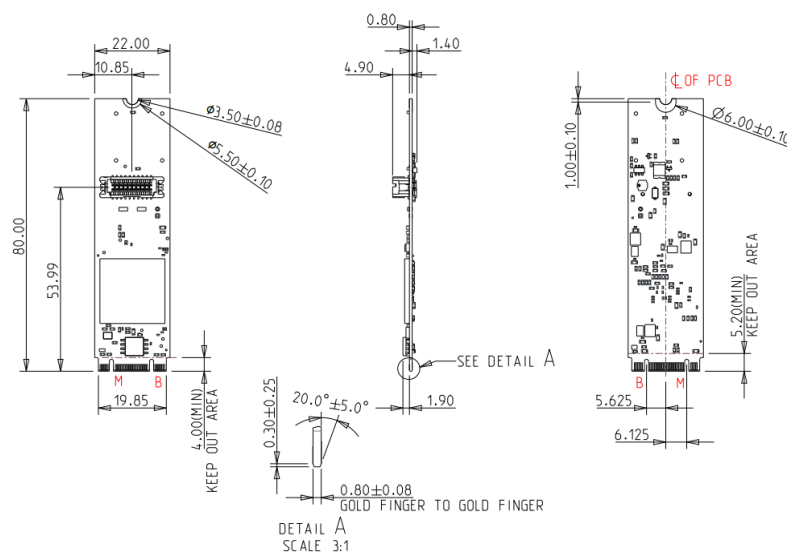
Model Name	EGPV-1101
Module Type	M.2 to Single HDMI or DVI-D Module M.2 to 24 / 48bit LVDS Module
Form Factor	M.2 2280 B+M Key
Function	Display
Input I/F	PCI Express 2.0 x2
Output I/F	HDMI or DVI-D 24 / 48bit LVDS
Output Port	2
Output Connector	1 x P1.25mm 20-pin (HDMI or DVI-D) 2 x 20-pin (LVDS)
Max. Power Consumption	2.78W (3.3V, 843mA)
Dimension (W x L x H/mm)	22 x 80 x 7.1
Temperature	Operation : S/T 0° ~ 70°C ; W/T -40°C ~ 85°C (Ta) Storage : -55°C ~ 95°C (Ta)
Vibration	20G@[7~2000Hz]
Shock	1500G@0.5ms
OS Support	Windows 10 (32 / 64bit), and above version Linux : Kernel v3.13, and above
Warranty	3 Years
Notes	VBIOS : Default support Legacy BIOS and UEFI

ORDER INFO.

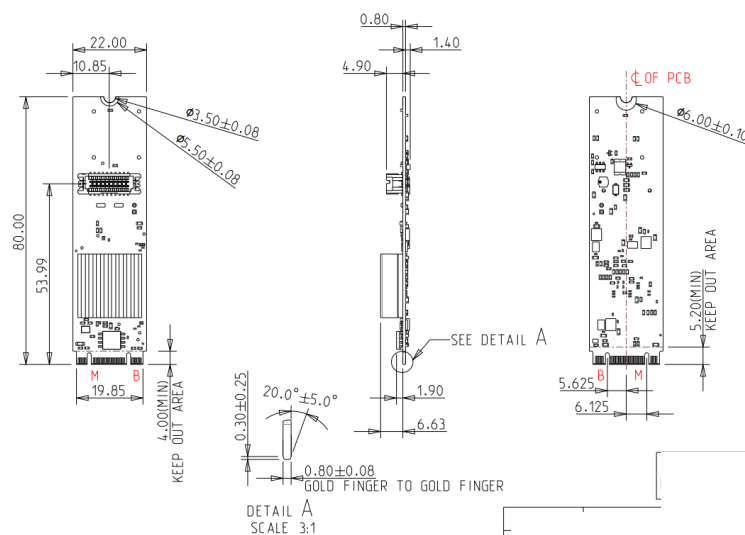
P/N	Description
EGPV-1101-C1	M.2 to Single HDMI or DVI-D Module / Standard Temperature
EGPV-1101-W1	M.2 to Single HDMI or DVI-D Module / Wide Temperature
EGPV-1101-C2	M.2 to 24 / 48bit LVDS Module / Standard Temperature
EGPV-1101-W2	M.2 to 24 / 48bit LVDS Module / Wide Temperature
EGPV-1101-C3	M.2 to Single HDMI or DVI-D Module with HDMI Cable / Standard Temperature
EGPV-1101-W3	M.2 to Single HDMI or DVI-D Module with HDMI Cable / Wide Temperature
EGPV-1101-C4	M.2 to Single HDMI or DVI-D Module with DVI Cable / Standard Temperature
EGPV-1101-W4	M.2 to Single HDMI or DVI-D Module with DVI Cable / Wide Temperature
7W9000000120	30cm HDMI Cable
7W9000000131	30cm DVI Cable

MECHANICAL DRAWING

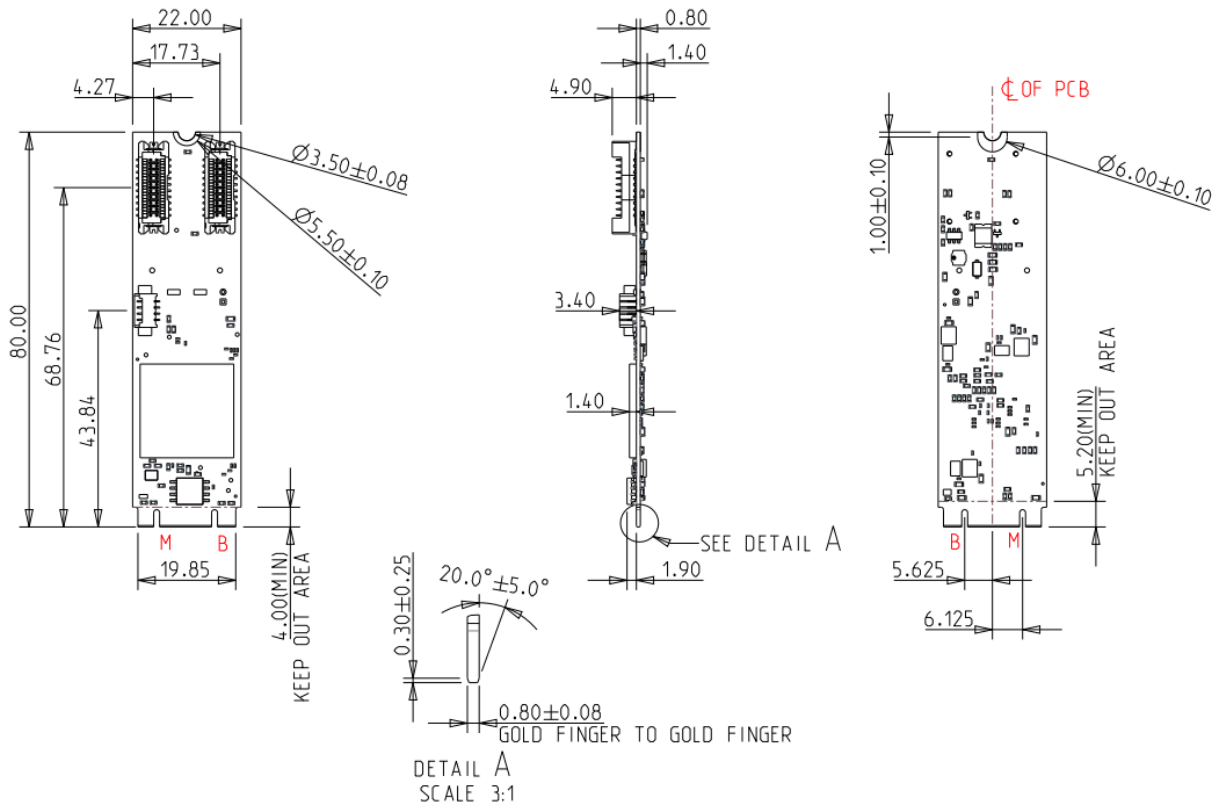
EGPV-1101-C1



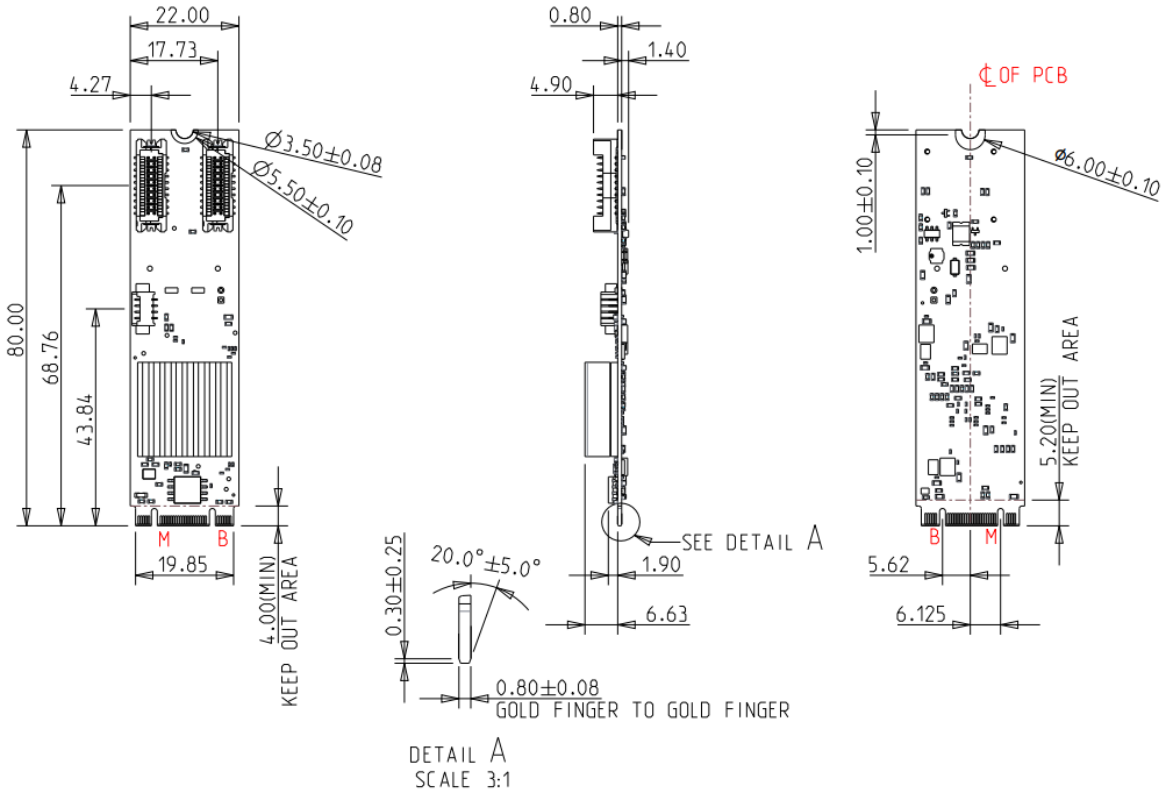
EGPV-1101-W1



EGPV-1101-C2



EGPV-1101-W2



HQ (Taiwan) T +886-2-7703-3000 / E sales@innodisk.com

CN T +86-755-2167-3689 / E sales_cn@innodisk.com

US T +1-510-770-9421 / E usasales@innodisk.com

EU T +31-40-3045-400 / E eusales@innodisk.com

JP T +81-3-6667-0161 / E jp_sales@innodisk.com

innodisk