



iCF 9000

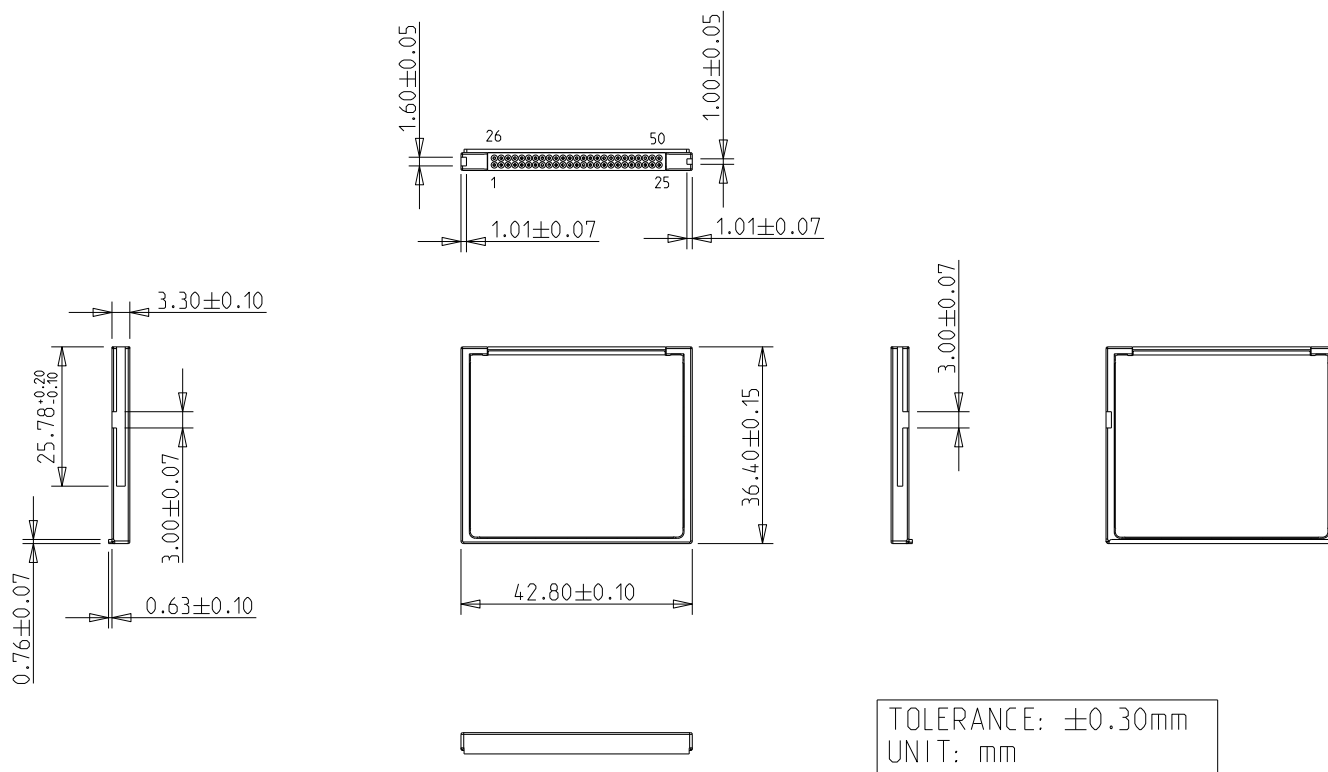
HIGHLIGHT FEATURES

- iSMART disk health monitoring
- Intelligent error recovery system
- Excellent data transfer speed
- Enhanced power cycling management

SPECIFICATIONS

Model Name	iCF 9000
Flash Type	SLC
Interface	PATA
Form Factor	CompactFlash (CF Card)
Capacity	1GB ~ 64GB
Sequential R / W (MB/sec, max.)	110 / 100
P/E Cycle	60,000
TBW (Max.)	4,166
Storage Temperature	-55°C ~ 95°C
Max. Power Consumption	1.6W
Max. Channels	4
External DRAM Buffer	N
H/W Write Protect	N
S.M.A.R.T.	Y
AES	N
TCG Opal	N
Dimension (W x L x H/mm)	42.8 x 36.4 x 3.3
Vibration	20G@[7 ~ 2000Hz]
Shock	1500G@0.5ms
MTBF	>3 million hours
Warranty	5 Years

DIAGRAM



ORDER INFO.

Operating Temperature	Standard Grade (0°C ~ 70°C)	Industrial Grade (-40°C ~ 85°C)
1GB	DC1M-01GD71AC*DB	DC1M-01GD71AW*DB
2GB	DC1M-02GD71AC*QB	DC1M-02GD71AW*QB
4GB	DC1M-04GD71AC*QB	DC1M-04GD71AW*QB
8GB	DC1M-08GD71AC*QB	DC1M-08GD71AW*QB
16GB	DC1M-16GD71AC1QB	DC1M-16GD71AW1QB
32GB	DC1M-32GD71AC1QB	DC1M-32GD71AW1QB
64GB	DC1M-64GD71AC1QB	DC1M-64GD71AW1QB

*. 1: 32nm SLC / 2: 24nm SLC

HQ (Taiwan) T +886-2-7703-3000 / E sales@innodisk.com

CN T +86-755-2167-3689 / E sales_cn@innodisk.com

US T +1-510-770-9421 / E usasales@innodisk.com

EU T +31-40-3045-400 / E eusales@innodisk.com

JP T +81-3-6667-0161 / E jp_sales@innodisk.com

