

Features

- 12.1" Wide Screen Industrial Compact Size Panel PC
- Intel N97 Processor
- Support 1 x DDR5 4800MHz SO-DIMM, Up to 32GB
- IP66 Compliant Aluminum Front Bezel
- Support Resistive touch screen and Projected Capacitive Multi-touch screen
- Support Auto-Dimming (for option)
- Support High Brightness LCD
- Fanless Design
- DC 9~36V Wide Range Power Input

Specifications

System	
CPU	Intel N97 Quad Core Processor, 3.60GHz, TDP is 12W
System Chipset	SoC
Memory	1 x DDR5 4800MHz SO-DIMM, up to 32GB
BIOS	AMI UEFI

I/O Port	
USB	2 x USB 3.2 Type A, 2 x USB 2.0 Type A
Serial / Parallel	1 x DB9 Type RS-232/422/485 (COM1, BIOS selection, RS-232 is default) 1 x DB9 Type RS-232/422/485 (COM2, BIOS selection, RS-232 is default) 1 x DB9 Type RS-232(COM3)
LAN	2 x RJ-45 Type Intel I226V/IT 2.5GbE LAN
Power	1 x Terminal Block Type, DC 9~36V Power Input

Storage Space	
HDD/SSD	1 x M.2 M-Key slot for storage device (PCIe3.0 x1 or SATA, 2280)

Expansion	
Expansion slot	1 x M.2 E-Key slot (Support Wi-Fi + Bluetooth, 2230) 1 x M.2 B-Key slot with 1 x Nano-SIM slot (Support 4G/5G, 3042/3052)

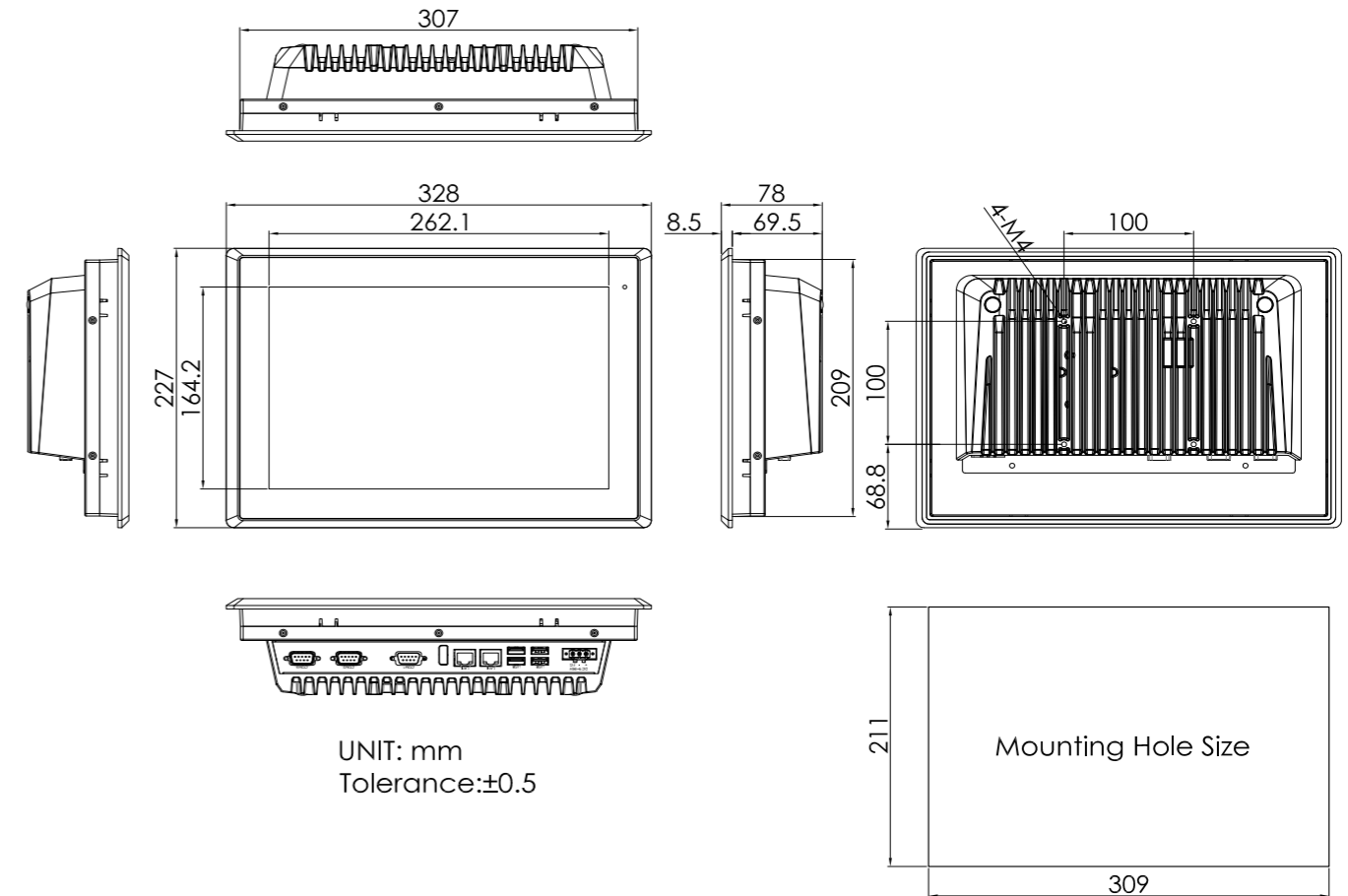
Storage Space	
TPM	Onboard TPM2.0 SPI I/F TPM IC
Watchdog Timer	1~255 sec (system)
Wake on LAN	Support WOL

Display	Standard	High Brightness by SKU
Display Type	12.1" Wide TFT-LCD	12.1" Wide TFT-LCD
Max. Resolution	1280 x 800	1280 x 600
Max. Color	16.7M	16.7M
Luminance (cd/m ²)	400	1000
View Angle	170(H)/170(V)	176(H)/176(V)
Contrast	1200:1	1000:1
Backlight Lifetime	50,000 hrs	50,000 hrs

Touch Screen	
Type	Resistive Touch (for CR Model) Projected Capacitive Touch (for CP Model)
Interface	USB
Light Transmission(%)	Resistive Touch: 80% / Projected Capacitive Touch: 90%

Power	
Power Input	DC 9~36V
Power Consumption	ARCHMI-S-812WCP/R: Around 37W

Dimensions



Mechanical	
Construction	Aluminum Die-casting Chassis
Mounting	Panel Mount, VESA 100 x 100
IP Rating	IP66 Compliant Front Bezel
Dimensions (WxHxD)	328 x 227 x 78 mm
Net Weight	3.16 kg

Environmental	
Operating Temperature	0~50°C / -20~60°C (w/ Industrial wide Temp. SSD/RAM)
Storage Temperature	-30~70°C
Humidity	10 to 95% @ 40°C, non-condensing
Certificate	CE/FCC Class A

Operating System Support	
Windows 10 IoT Enterprise	2021 LTSC
Windows 11 (21H2)	or later
Linux	22.04 or later

Ordering Information	
ARCHMI-S-812WCP	12.1" WXGA fanless HMI barebone with Intel N97 CPU, 1 x DDR5 slot, Projected Capacitive touch, 9~36V DC input with adapter, Aluminum chassis.
ARCHMI-S-812WCR	12.1" WXGA fanless HMI barebone with Intel N97 CPU, 1 x DDR5 slot, Resistive touch screen, 9~36V DC input with adapter, Aluminum chassis.
ARCHMI-S-812WCPH	12.1" WXGA High brightness fanless HMI barebone with Intel N97 CPU, 1 x DDR5 slot, Projected Capacitive touch, 9~36V DC input with adapter, Aluminum chassis.
ARCHMI-S-812WCRH	12.1" WXGA High brightness fanless HMI barebone with Intel N97 CPU, 1 x DDR5 slot, Resistive touch screen, 9~36V DC input with adapter, Aluminum chassis.

