

12.1" Android 11 Vehicle Mount Computer with RK3399 Processor

Overview

The VT-840A is a rugged 12.1-inch Android-based vehicle mount computer specifically designed for trucks, buses, forklifts, and various other applications. The VT-840A features a high-performance 6-core processor, an integrated 12.1-inch TFT LCD display with a projective capacitive touchscreen for enhanced usability. It also comes with built-in Wi-Fi 5, Bluetooth 4.2, 4G LTE/5G, and GNSS modules, enabling seamless real-time communication connections. The VT-840A boasts a fanless design, ensuring efficient cooling, and supports a wide temperature range and wide-range DC input. It is MIL-STD compliant and IP65 waterproof and dustproof, allowing it to withstand harsh operating conditions.

Features

- 12.1" TFT-LCD with projective capacitive touchscreen
- Front panel integrated with numeric and function key control
- Rugged aluminum enclosure and fanless design
- IP65 protection against water and dust
- Compliant with MIL-STD-810G vibration testing standards
- Wide range 8-36VDC power input with ignition control
- Flexible expansion capability for Wi-Fi 5, Bluetooth 4.2, LTE/5G, GNSS



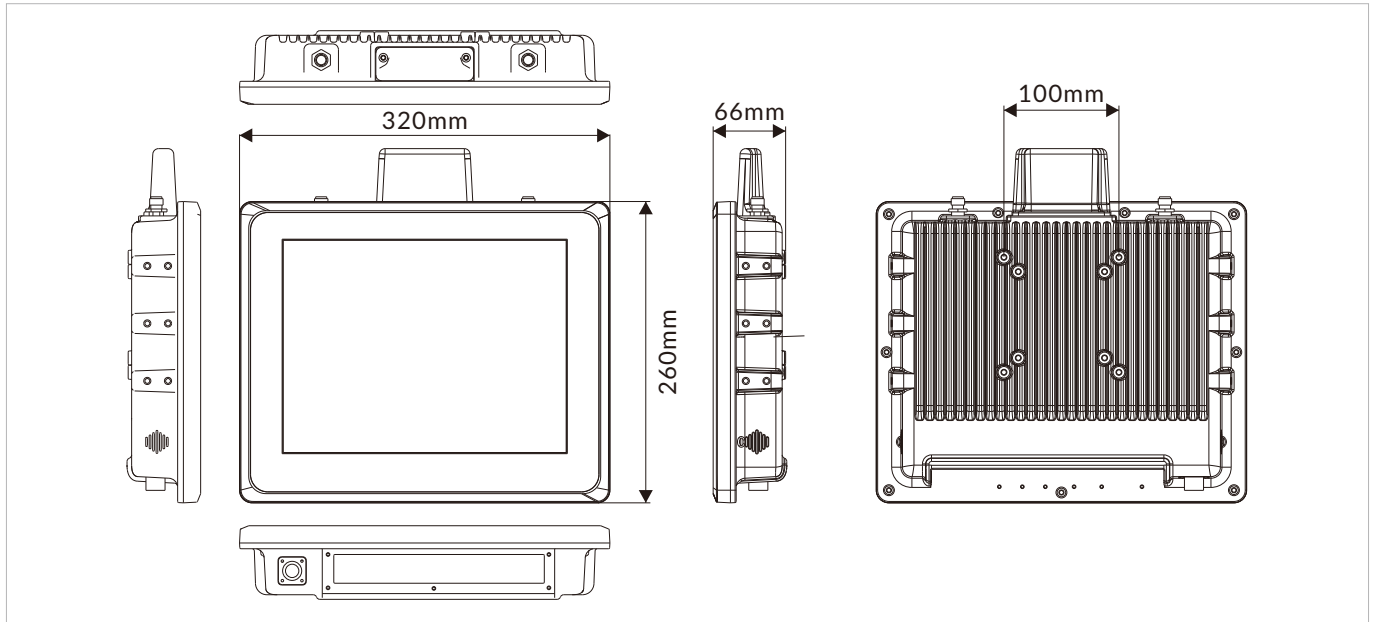
I/O Interfaces



Specifications

Display	
Size	12.1 inch (4:3)
Touch Type	Projected capacitive multi touch
Display Type	TFT LCD
Resolution	1024 x 768
Luminance	500 nits
Contrast Ratio	700: 1
View Angles	80 (left), 80 (right), 80 (up), 80 (down)
Color	16.2M
System	
CPU	Rockchip RK3399, dual core A72 + quad core A53 (1.8 GHz)
Memory	4GB DDR4-1866 on board
Storage	32GB EMMC on board
Keypad & Keyboard	
Keypad	Power On/Off Brightness and volume adjustment 0-9 numeric, Enter and Backspace F1-F6 user-defined function keys, Power LED indicator
I/O Ports	
USB	1x USB 3.0/OTG (Type A), 1x USB 2.0 (Type A)
Serial	1x RS-232 (DB9)
Ethernet	1x GbE LAN (RJ45)
SIM Card Slot	1x Nano SIM Socket
TF Card Slot	1x TF Socket (up to 128GB)
Antenna	2 to 4x TNC connector for external antenna (Wi-Fi, Bluetooth, WWAN, GNSS)
RF Communication	
Wi-Fi	Wi-Fi 5: 802.11a/b/g/n/ac, 2.4G/5G
Cellular	4G, LTE 5G, NSA/SA (optional)
Bluetooth	Bluetooth 4.2
GNSS	GPS, GLONASS, Galileo, BeiDou
Audio	
Speaker	8Ω/2W, dual studio speakers
Power	
DC Input	8 to 36VDC
Power Consumption	14W (Typ.)
Power Mode	ATX (default), AT
Operating System	
Android	Android 11
Mechanical	
Dimensions (W x D x H)	320 x 260 x 66 mm (12.6 x 10.24 x 2.6 inches)
Weight (N.W.)	3.8 kg (8.4 lbs)
Mounting Mode	VESA 75 and 100
Material	Die-casting Aluminum with Heavy Duty Metal
Environment	
Operating Temperature	-20 to 60°C (-4 to 140°F)
Storage Temperature	-40 to 70°C (-40 to 158°F)
Relative Humidity	95% @ 70°C (158°F), non-condensing
Shock	MIL-STD-810G Method 516.6 Procedure I
Vibration	MIL-STD-810G Method 514.6 Procedure I
IP Rating	IP65 compliant (I/O interface must be closed)
Certification	
EMC	CE, FCC

Dimensions



Optional Accessories

Part No.	Description
PWR836D512-M12	8 to 36VDC Input, 5V/12VDC Output, M12 connector

Ordering Information

Part No.	Description
VT-840A-B412B-A011	VT-840A with Rockchip RK3399, 4GB RAM, 32GB SSD, WiFi(WMU6202), Bluetooth(WMU6202), 4G(EC20), GPS(Bozen UG-M80), TNC(L)-WiFi_M, TNC(M1)-Bluetooth, TNC(M2)-4G_M, TNC®-GPS + Android 11
VT-840A-B412C-A011	VT-840A with Rockchip RK3399, 4GB RAM, 32GB SSD, WiFi(WMU6202), Bluetooth(WMU6202), 4G(EC20), GPS(Bozen UG-M80), TNC(L)-WiFi_M, Orange cap-Bluetooth/4G_M, TNC(R)-GPS, Android 11
VT-840A-B612D-A011	VT-840A with Rockchip RK3399, 4GB RAM, 32GB SSD, WiFi(WMU6202), Bluetooth(WMU6202), 5G(RM500Q-GL), GPS(Bozen UG-M80), TNC(L)-WiFi_M, Orange cap-Bluetooth/5G, TNC(R)-GPS, Android 11