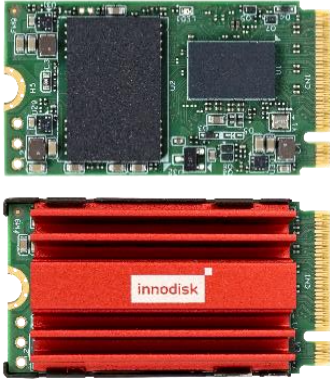


## M.2 (P42) 3IE8

### HIGHLIGHT FEATURES

- PCIe Gen 3 x2, NVMe SSD
- Innodisk 3D TLC NAND
- Standard & Wide-temperature
- iPower Guard / iData Guard
- Dynamic thermal management
- Ultra iSLC technology
- Support TCG Opal function

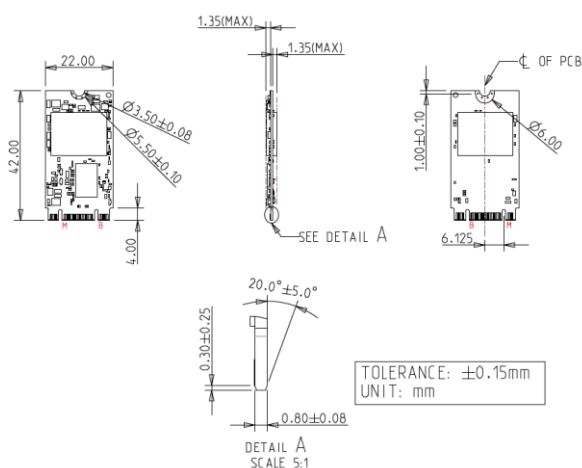


### SPECIFICATIONS

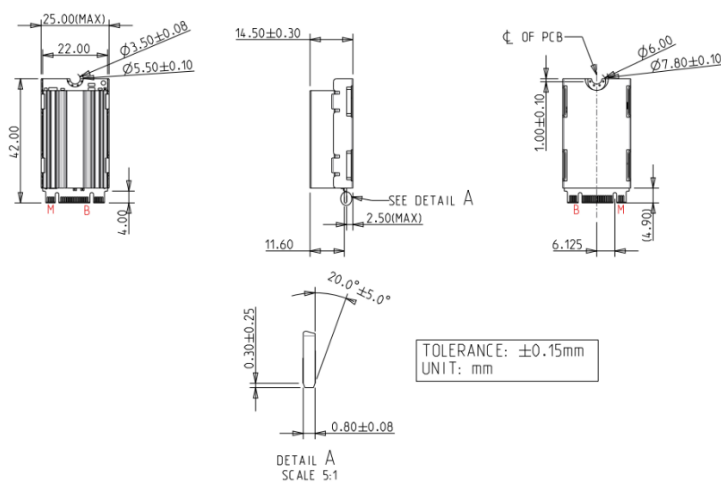
<b>Model Name</b>	M.2 (P42) 3IE8
<b>Flash Type</b>	iSLC (3D TLC)
<b>Interface</b>	PCIe Gen 3 x2
<b>Form Factor</b>	M.2 2242 B+M key
<b>Capacity</b>	40GB ~ 320GB
<b>Sequential R / W (MB/sec, max.)</b>	1,750 / 1,650
<b>P/E Cycle</b>	100,000
<b>TBW (Max.)</b>	14,971
<b>Storage Temperature</b>	-40°C ~ 85°C
<b>Max. Power Consumption</b>	3.1W
<b>Max. Channels</b>	4
<b>External DRAM Buffer</b>	N
<b>H/W Write Protect</b>	N
<b>S.M.A.R.T.</b>	Y
<b>AES</b>	Y
<b>TCG Opal</b>	Y
<b>Dimension (W x L x H/mm)</b>	WT with heatsink: 25.0 x 42.0 x 14.5 Pure M.2: 22.0 x 42.0 x 2.78
<b>Vibration</b>	20G@7~2000Hz
<b>Shock</b>	1500G@0.5ms
<b>MTBF</b>	>3 million hours
<b>Warranty</b>	5 Years

## DIAGRAM

## ST



## WT



Note: The appearance of silicone oil seeping out from the inside of the thermal pad is a normal occurrence. Silicone oil is not electrically conductive, so it does not impact the functionality of SSD.

## ORDER INFO.

Operating Temperature	Standard Grade (0°C ~ 70°C)	Industrial Grade (-40°C ~ 85°C)
40GB	DHM24-40GDS2KCCDL	DHM24-40GDS2KWC DLH
80GB	DHM24-80GDS2KCCQL	DHM24-80GDS2KWC QLH
160GB	DHM24-A60DS2KCCQL	DHM24-A60DS2KWC QLH
320GB	DHM24-D2GDS2KCCQL	DHM24-D2GDS2KWC QLH

HQ (Taiwan) T +886-2-7703-3000 / E sales@innodisk.com

CN T +86-755-2167-3689 / E sales\_cn@innodisk.com

US T +1-510-770-9421 / E usasales@innodisk.com

EU T +31-40-3045-400 / E eusales@innodisk.com

JP T +81-3-6667-0161 / E jp\_sales@innodisk.com

**innodisk**