

# TG900G7

## 8" ARM A78 + A55 Android Rugged Tablet Controller



### KEY FEATURES

- 8" 1920 x 1200 IPS LED Panel with direct optical bonding
- 4GB RAM + 64GB eMMC
- ARM Genio 510 2 x A78 2.0GHz + 4 x A55 2.0GHz
- Supports WIFI, BT, and optional 4G/5G
- Sunlight readable with antiglare solution
- All-weather, dust, and water-resistant design (IP65). MIL-grade drop, Shock and vibration

### INTRODUCTION

Winmate's 8-inch Android rugged tablet controller is designed for reliable operation in demanding environments. Its 1920 × 1200 IPS LED panel with direct optical bonding and antiglare technology ensures clear outdoor visibility. Equipped with the ARM Genio 510 processor, 4GB RAM, and 64GB eMMC, it balances performance and efficiency for mobile workflows. Certified to IP65 and MIL-STD standards, and supporting Wi-Fi, Bluetooth, and optional 4G/5G, it delivers dependable communication in the field.

### SPECIFICATIONS

#### Display

<b>Bonding</b>	Optical Bonding for Sunlight Viewability	<b>Type</b>	Projected Capacitive Multi Touch
<b>Viewability</b>	Anti-Glare touch treatment	<b>Touch Mode</b>	Support Hand / Gloves and Rain Mode
<b>Resolution</b>	1920x1200	<b>Size</b>	8.0 inches
<b>Contrast Ratio</b>	1000:1	<b>Panel Brightness</b>	1000.0 nits
<b>View Angles</b>	85,85,85,85		

#### System Specification

<b>Processor</b>	Genio 510 2 x A78 2.2GHz + 4 x A55 2.0GHz	<b>Memory</b>	4GB
<b>Storage</b>	64GB eMMC	<b>Operating System</b>	Android 13.0
<b>WLAN</b>	802.11a/b/g/n/ac/ax	<b>BT</b>	5.3
<b>WWAN</b>	4G LTE (Optional) 5G (Optional)	<b>GNSS</b>	GPS/GLONASS

#### Mechanical

<b>Dimension</b>	259.8 x 166.1 x 44.2 mm	<b>Weight</b>	1.1kg
<b>Cooling System</b>	Fanless Design		

#### IO Ports

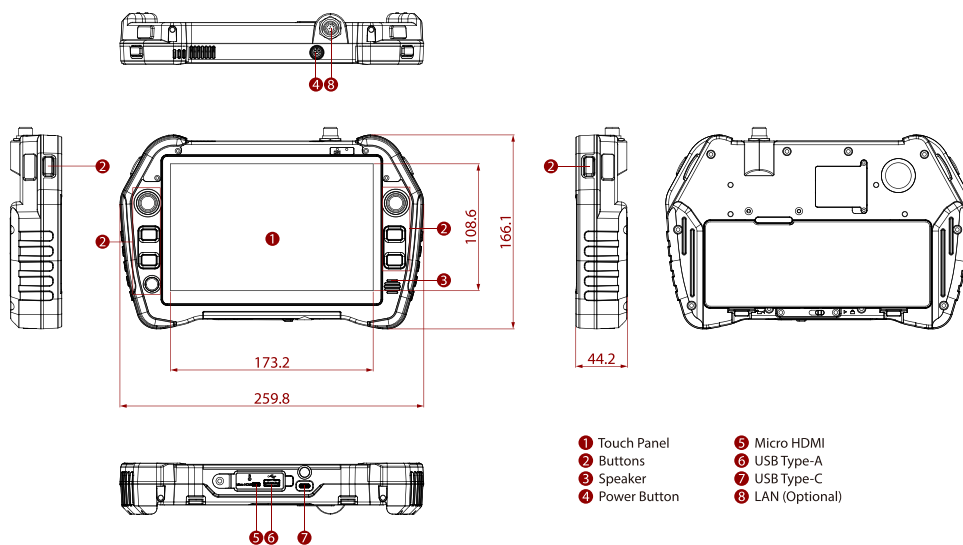
<b>USB Port</b>	1 x USB 3.0 (Type-A) 1 x USB 2.0 (Type C)	<b>Video</b>	1 x micro HDMI output
<b>Audio</b>	1x Speaker		

#### Environment

<b>Operating Humidity</b>	10% to 90% RH, non-condensing	<b>Operating Temperature</b>	-20°C to 60°C (AC mode), -10°C to 50°C (Battery mode)
---------------------------	-------------------------------	------------------------------	---

<b>Storage Temperature</b>	-30°C to 70°C (-22°F to 158°F)	<b>Shock</b>	MIL-STD-810H Method 516.8 Procedure I
<b>Vibration</b>	MIL-STD-810H Method 514.8 Procedure I	<b>IP rating</b>	IP65
<b>Certification</b>			
<b>Certification</b>	CE, FCC		
<b>Control</b>			
<b>Button</b>	8 x Buttons		
<b>Power</b>			
<b>Battery</b>	11.4V, typ. 3500 mAh Lilon Removable Battery (3S1P)	<b>Power Rating</b>	19V DC
<b>Adapter</b>	PD Adapter 100W		
<b>Accessory</b>			
<b>Accessory</b>	1 x PD Adapter 100W 1 x Power Cord	<b>Optional Accessory</b>	M12 LAN (10/100 Mbps , Max to 250 Mbps)

## DIMENSIONS UNIT:MM



## NOTE

1. This is a simplified drawing, and some components are not marked in detail.
2. Please contact our sales representative if you need further product information.
3. All specifications are subject to change without prior notice.
4. The product shown in this datasheet is a standard model. For diagrams that contain customized or optional I/O, please contact the Winmate Sales Team for more information.