

R15IT3S-67C3(HB)

15" Intel® Core™ i5-1135G7 G-WIN Full IP67 Panel PC



KEY FEATURES

- 11th Generation (Tiger Lake) Intel® Core™ i5-1135G7 2.4GHz (turbo to 4.2GHz)
- High Quality 15" Panel, 1024 x 768 resolution, 1000 nits
- Dust/ Water proof design with VESA mount Full IP67 Panel PC
- Aluminum Die-Casting Housing with Anti-Corrosion Treatments
- Build in ambient Light sensor, Full IP67 Panel PC
- Wide Range 9 to 36V DC Input with isolation. Optional for Ignition On/Off delay
- 5 Wire Resistive Touch / Anti-Reflective Protection Glass (Optional)

INTRODUCTION

Winmate G-WIN IP67 Series Panel PC offers robust performance and versatility for demanding industrial environments. Available in sizes from 7" to 21.5", these fully sealed panel PCs feature IP67-rated water and dustproof protection, ensuring reliability in harsh conditions. Designed with a P-cap multi-touch screen, optical bonding, and optional anti-reflective glass, they deliver exceptional clarity and usability. The anti-corrosion aluminum die-cast housing, wide operating temperature range, and support for various OS make this series ideal for outdoor, manufacturing, and vehicle-mounted applications.

SPECIFICATIONS

System Specification

WLAN	Support (Optional)	BT	Support (Optional)
Processor	Intel Core i5-1135G7 2.4GHz (up to 4.2GHz)	Memory	4GB(Default) (Default) 8GB (Optional) 16GB (Optional) 32GB (Optional)
Storage	128GB SSD(Default) (Default) 256GB SSD (Optional) 512GB SSD (Optional) 1TB (Optional) 2TB (Optional) 4TB (Optional)	Ethernet controller	1 x Intel® Ethernet Controller
Security	TPM 2.0	Operating System	Windows 11 IoT Enterprise (64 bit) (Optional) Windows 11 Pro 64 bit (Optional) Linux Ubuntu 22.04(Do not support Wake on Touch) (Optional)

Display

Resolution	1024x768	Size	15.0 inches
Contrast Ratio	2000:1	Panel Brightness	1000.0 nits
View Angles	88,88,88,88	Active Area	304.1x228.1 mm
Touch / Glass	Resistive Touch Screen Bonding With Panel (Default) Protection Glass Without touch function (Optional)		

Mechanical

Dimension	398 x 308 x 58 mm	Weight	4.2 kg
Mounting	VESA mount (Default) Yoke mount (Optional)	Enclosure	Aluminum Housing
Cooling System	Fanless Design		

Environment

Operating Humidity	10% to 90% RH, Non-Condensing	Operating Temperature	-10°C to 55°C -40°C to 55°C (with intelligent heater)
Storage Temperature	-30°C to 70°C	Shock	MIL-STD-810G Method 516.6 Procedure I
Vibration	MIL-STD-810G Method 514.6 Procedure I	IP rating	IP67

Certification

Certification	CE, FCC
----------------------	---------

IO Ports

Power Input	1 x M12 waterproof connector for 9~36V DC	USB Port	1 x M12 waterproof connector for 2 x USB2.0
Serial Port	1 x M12 waterproof connector for RS232	LAN	1 x waterproof Giga LAN RJ45 connector
Indicator	1 x LED Indicator for power 1 x LED Indicator for storage		

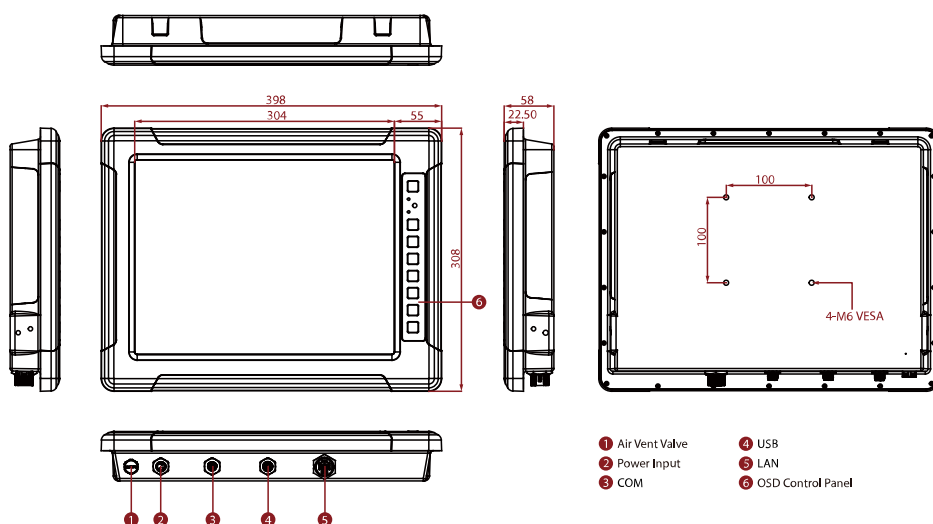
Control

Button	1 x "Power" key to power on the device. 1 x "+" key to increase screen brightness. 1 x "-" key to decrease screen brightness. 1 x "Menu" key can Automatically or manually adjusts brightness of the display screen 1 x Day / Night Mode button 1 x LED indicator brightness adjustment button 1 x Ambient Light sensor
---------------	---

Accessory

Accessory	External open wire Power cable with waterproof connector External USB cable with waterproof connector External COM cable with waterproof connector External LAN cable with waterproof connector Waterproof caps RJ45 female-female converter VESA screws	Optional Accessory	Yoke mount stand (Optional) 100~240V AC to DC 120W Adapter with power cord (Optional)
------------------	--	---------------------------	--

DIMENSIONS UNIT:MM



NOTE

1. This is a simplified drawing and some components are not marked in detail.
2. Weight of the device varies by configuration.
3. Please contact our sales representative if you need further product information.
4. All specifications are subject to change without prior notice.
5. The product shown in this datasheet is a standard model. For diagrams that contain customized or optional I/O, please contact the Winmate Sales Team for more information.