

# FM10MG

10.4" Android Vehicle Mounted Computer with Genio 510 A78 + A55 CPU



## KEY FEATURES

- ARM Genio 510 2 x A78 2.0GHz + 4 x A55 2.0GHz CPU
- 10.4" 1024 x 768 Panel with PCAP touchscreen
- Field replaceable front panel to reduce service costs
- IP65 waterproof and dustproof
- Wide range -30°C to 50°C operating temperature

## INTRODUCTION

Winmate FM Series Android Vehicle Mounted Computer (VMC) is a rugged and versatile solution designed for demanding industrial and logistics applications. Powered by ARM Genio 510 and Qualcomm® Snapdragon™ 660 processors, it delivers reliable performance for forklift and fleet operations. Featuring an IP65-rated waterproof and dustproof design, a wide -30°C to 50°C operating temperature range, and a field-replaceable front panel to reduce service costs, the FM Series ensures durability and efficiency. Its built-in backup battery enables seamless dock-to-dock transitions, ensuring uninterrupted productivity.

## SPECIFICATIONS

### Display

<b>Resolution</b>	1024x768	<b>Size</b>	10.4 inches
<b>Contrast Ratio</b>	1200:1	<b>Panel Brightness</b>	400 (Default) nits 800 nits(Optional)
<b>View Angles</b>	88,88,88,88	<b>Type</b>	Projected Capacitive Multi Touch
<b>Touch Mode</b>	Support Hand, Stylus, Glove Mode		

### System Specification

<b>Processor</b>	ARM Genio 510 2 x A78 2.0GHz + 4 x A55 2.0GHz	<b>Memory</b>	4GB
<b>Storage</b>	Onboard 64 GB	<b>Operating System</b>	Android 13 (Default) Linux Yocto 5.10.104 with QT 5.15 (Optional) Linux Ubuntu 22.04 (Optional)
<b>WLAN</b>	Support with Internal Antenna (Default) Either one with External Antenna (Optional)	<b>BT</b>	Support
<b>WWAN</b>	(Default) 4G/LTE with External Antenna (Optional)	<b>GNSS</b>	(Default) GPS/GLONASS with External Antenna (Optional)
<b>Sensors</b>	G-Sensor, Light Sensor, Temp Sensor		

### Camera

<b>Front Camera</b>	2MP Camera
---------------------	------------

### Mechanical

<b>Dimension</b>	Tablet: 268 x 214 x 35 mm (10.6 x 8.42 x 1.37 inches) Docking: 202 x 245 x 52 mm (7.9 x 9.6 x 2.04 inches)	<b>Weight</b>	Tablet 1.6 kg (3.53 lbs) Docking 1.6 kg (3.53 lbs)
<b>Mounting</b>	RAM mount/ VESA mount	<b>Cooling System</b>	Fanless Design
<b>Docking Housing</b>	Aluminum Alloy Housing		

## IO Ports

<b>USB Port</b>	1 x USB 2.0 Type C (OTG)(Tablet) 1 x DB9 Connector for 2 x USB 2.0 Port(Docking)	<b>Serial Port</b>	2 x COM Port(Docking)
<b>SD Card Slot</b>	1 x Micro SD Card Slot(Tablet)	<b>SIM Card Slot</b>	1 x Dual-Nano SIM Card Slot(Tablet)
<b>Audio</b>	2 x Speaker(Docking) 1 x CANBus or 1 x Audio(Docking)	<b>LAN</b>	1 x Gigabit LAN port(Docking)
<b>Indicator</b>	5 x LED Indicator (WLAN, BT, UPS battery, Screen Blanking, Heater)	<b>Docking Connector</b>	SMA Connector(female) for external antenna WLAN (Default) SMA Connector(female) for external antenna GPS (Optional) SMA Connector(female) for external antenna WWAN (Optional)

## Environment

<b>Operating Humidity</b>	5% to 95% RH, Non-Condensing	<b>Operating Temperature</b>	-30°C to 60°C
<b>Storage Temperature</b>	-30°C to 60°C	<b>Shock</b>	MIL-STD-810H Method 516.8 Procedure I
<b>Vibration</b>	MIL-STD-810H Method 514.8 Procedure I	<b>IP rating</b>	IP65
<b>Impact</b>	Support EN62262 IK07 Rating	<b>ESD</b>	Compliant with EN 61000-4-2, Enhanced ESD to ±8kV Direct & ±12kV Air

## Certification

<b>Certification</b>	CE, FCC
----------------------	---------

## Control

<b>Button</b>	1 x Power Button, 6 x Function Button (Programmable Function Key Configured by Winset)
---------------	---

## Power

<b>Battery</b>	7.6V UPS Battery (2S1P) Minimum 30 minutes	<b>Power Rating</b>	Docking: 10V-60V with ignition control Tablet: 12V DC In
----------------	---	---------------------	---

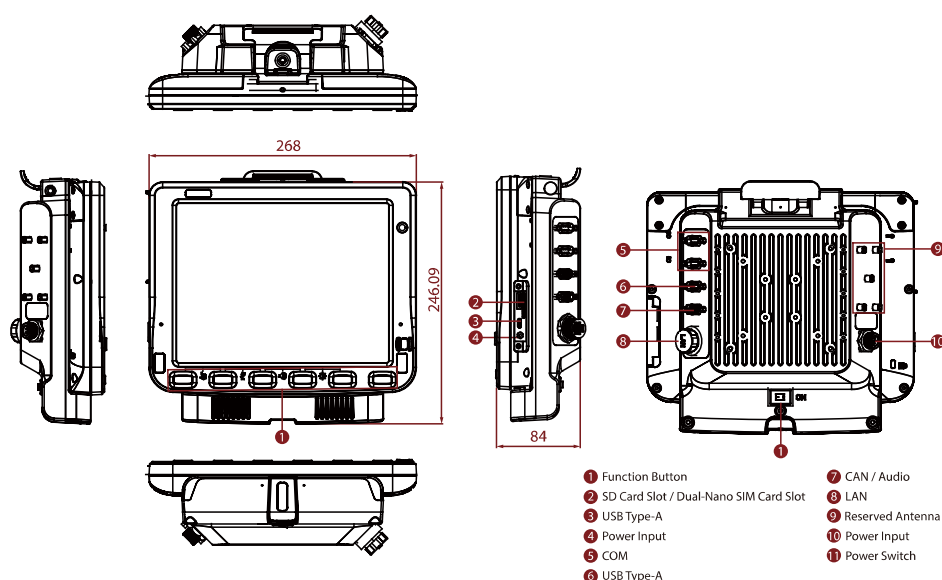
## Security Function

<b>SOTI MobiControl</b>	SOTI MobiControl Compliance
-------------------------	-----------------------------

## Accessory

<b>Accessory</b>	5M Power Cable with Fuse Kit 0.3M USB Cable 0.15M Power Converter Cable DC Jack Power Cable 84W Adapter with power cable Cable Clamp Kit WLAN Antenna x 2 Quick Start Guide External Antenna Fixing Bracket Dock + Latch Locking Key Stylus Kit + Screw	<b>Optional Accessory</b>	1.8M RS232 Cable 0.3M Audio Cable 1.8M CAN BUS Cable 1.8M CAN BUS Open Wire Cable 2M IP65 LAN Cable GPS & LTE 2M Combo Antenna(VM240) GPS & LTE 5M Combo Antenna (VM9C) Magnetic Combo Antenna (VM10S) WWAN Antenna USB-C to HDMI Adapter
------------------	---	---------------------------	--

## DIMENSIONS UNIT:MM



## NOTE

1. Total usable memory will be less dependent upon actual system configuration.
2. CANBus and audio are mutually exclusive.
3. The heater is a customized feature available by request.
4. SOTI is available upon request.
5. Length measurements do not include protrusions. Weight varies with options.
6. Measured at dimming LCD brightness. Varies depending on the usage conditions, or when an external device is attached.
7. Accessories may vary depending on your configuration.
8. Two Wi-Fi antennas are included in the standard package.
9. The product shown in this datasheet is a standard model. For diagrams that contain customized or optional I/O, please contact the Winmate Sales Team for more information.
10. Please order one bracket for one antenna. For example, if you plan to use two antennas, please order two brackets.
11. Notice that only one antenna is included in the package. If you plan to use the WWAN function please order two WWAN antennas.
12. This is a simplified drawing and some components are not marked in detail.
13. COM port can supply 5V power via the 9th pin.