

EC70A-HPT

AMD Ryzen™ 8000 series
Fanless Robust Embedded System



KEY FEATURES



AMD Ryzen™ 8000 series

AMD Ryzen™ 8640U / 8840U Processor,
TDP=15W for Fanless, TDP=28W for w/Fan.



Dual Displays

HDMI 2.0 (4K@60Hz) + DP1.4 (4K@60Hz)



Two DDR5 SO-DIMM socket

Up to 2 SO-DIMM sockets for DDR5-5600
memory modules up to 128GB, ECC support



5G Support

Support M.2 B key 3042/3052 5G-NR module

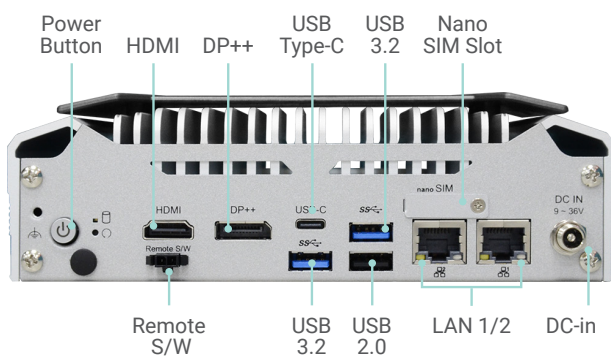


Support OOB

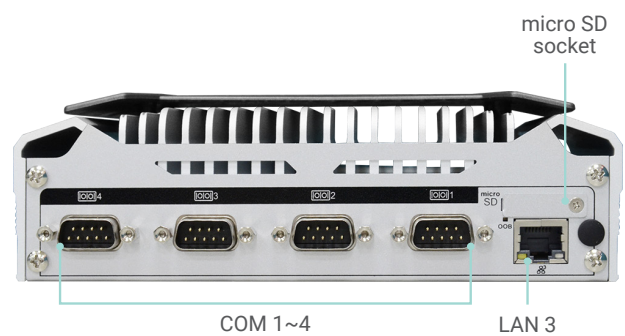
remote Power on/off & reset, BIOS update...etc.



PANEL

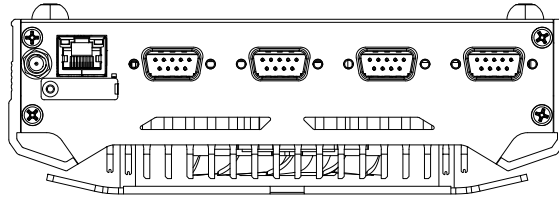


Front View

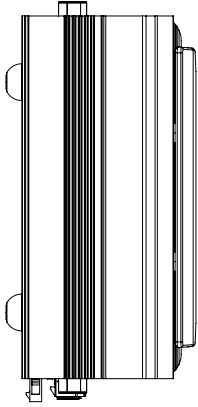


Rear View

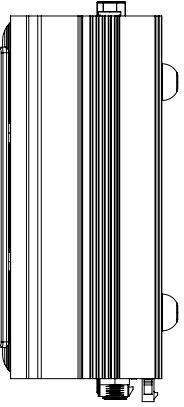
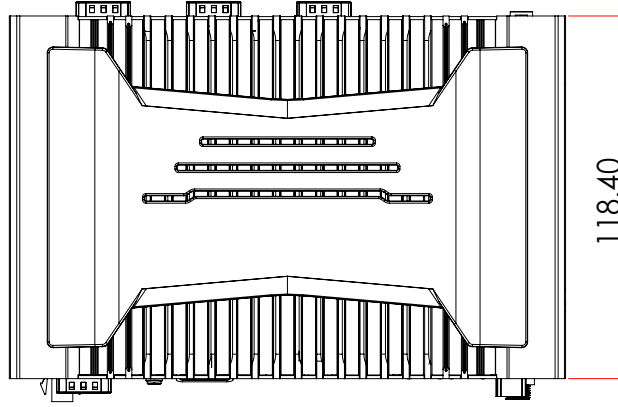
DIMENSIONS



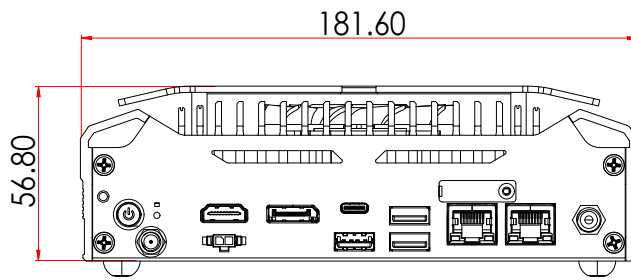
Rear View



Left View

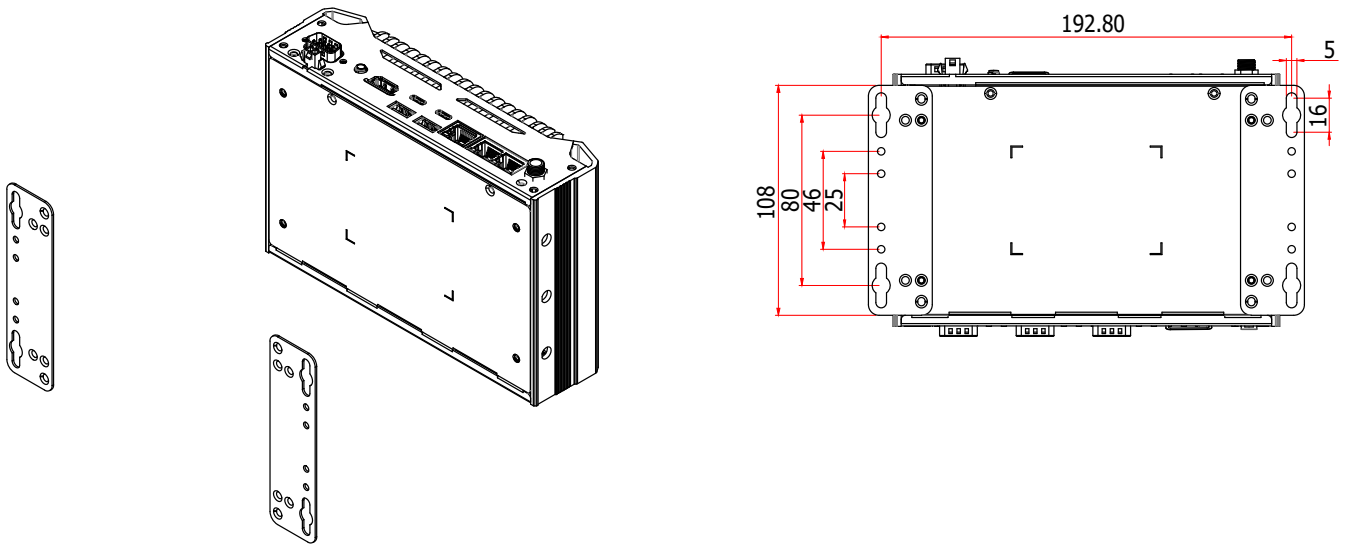


Right View

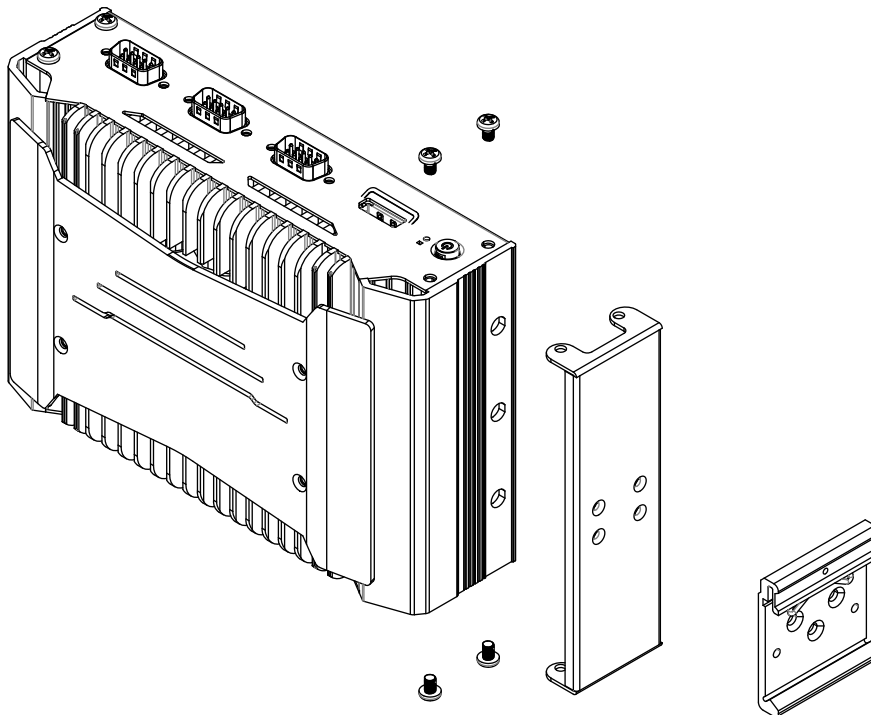


Front View

WALL MOUNTING



DIN RAIL MOUNTING



SPECIFICATION

SYSTEM	Processor	AMD Ryzen™ 7 8840U (5.1 GHz max.) AMD Ryzen™ 5 8640U (5.1 GHz max.)	
	Memory	Up to 2 SO-DIMM sockets for DDR5 5600 memory modules up to 128GB, ECC support	
	BIOS	AMI SPI 256Mbit	
GRAPHICS	Controller	AMD Radeon™ 780M (R7) AMD Radeon™ 760M (R5)	
	Feature	DirectX 12, Open GL 4.6, Vulkan 1.2 HW Decode: AV1, AVC/H.264, MJPEG, HEVC/H.265, VP9, SCC HW Encode: MJPEG, AVC/H.264, HEVC/H.265, VP9, SCC	
	Display	1 x HDMI 2.0 1 x DP1.4	HDMI: resolution up to 4096x2160 @60Hz DP: resolution up to 4096x2304 @60Hz
	Multiple Displays	HDMI + DP++ + 1 Type-C DP Alt. Mode	
	AI ACCELERATOR	Controller	AMD Ryzen™ AI, 16 TOPS
EXPANSION	Interface	1 x M.2 M Key 2280 (PCIe x4) 1 x M.2 B Key 3042/3052 (USB 3.0/USB2.0/PCIe x1/SATA), 1 x Nano SIM slot 1 x M.2 E Key 2230 (PCIe/USB 2.0/CNVi)	
ETHERNET	Controller	2 x Intel® I225IT (10/100/1000/2500Mbps) 1 x Intel® I210IT (10/100/1000Mbps, support OOB) (Only Core i7/i5 supports iAMT)	
LED	Indicators	1 x Status LED (Green) 1 x HDD LED (Blue)	
FRONT I/O	Ethernet	2 x LAN	
	USB	2 x USB 3.2 Gen2 1 x USB 2.0 1 x USB Type-C	
	Display	1 x DP++ 1 x HDMI 1 x Type-C DP Alt. Mode	
	Buttons	1 x Power button 1 x Reset button	
	SIM Slot	1 x Nano SIM slot	
	Power	1 x DC input	
	REAR I/O	Ethernet	1 x LAN
Serial		4 x COM	
SD		1 x micro SD socket	
WATCHDOG TIMER		Output & Interval	System Reset, Programmable via Software from 1 to 255 Seconds
SECURITY	TPM	TPM 2.0	
POWER	Type	60W, 12V/5A	
	Connector	DC Jack	
OS SUPPORT	Microsoft	Windows 11 IoT Enterprise LTSC 2024	
	Linux	Linux	
ENVIRONMENT	Operating Temperature	-20~60°C (CPU TDP 15W, Fanless, with 0.7m/s air flow) -20~70°C (CPU TDP 28W, with Fan)	
	Storage Temperature	-40 to 85°C	
	Relative Humidity	5 to 95% RH (non-condensing)	
MECHANISM	Construction	Aluminum + Metal Aluminum	
	Mounting	Wall/VESA/DIN rail mount	
	Dimensions (W x H x D)	181.6mm x 57mm x 118.4mm	
	Weight	1.2 Kg	
	STANDARDS AND CERTIFICATIONS	Shock	Half sine wave 3G, 11ms, 3 shock per axis
Vibration		IEC68-2-64 w/M.2 SSD Condition: -Random: 1Grms @ 5~500 Hz, IEC60068-2-64	
Certifications		CE, FCC Class A, RoHS, UKCA	

PACKING LIST

1 EC70A-HPT system unit
3 M.2 slot slot screws
4 Foot screws & Rubber Foot
1 Grounding screw
1 Remote switch cable