

# W10IP3S-PCH2-POE

10.1" Intel® Pentium® N4200 S Series HMI Panel PC



## KEY FEATURES

- 10.1" 1280 x 800 PCAP multi-touch screen
- Intel® Pentium® N4200 Apollo Lake Processor
- Fanless cooling system and ultra-low power consumption
- Dual Gigabit Ethernet
- Front IP65 water and dust proof
- Optional 2 MP Front Camera
- Optional HF RFID Reader
- Support PoE function
- Stylish design for room booking, access control and room information applications

## INTRODUCTION

Winmate S-Series HMI offers a stylish and versatile solution for modern automation and control applications. Available in sizes from 7" to 15", this wide rectangular Panel PC supports Power over Ethernet, multiple processors, and operating systems like Windows and Android. With optional HF RFID reader and built-in RGB LED light bar, it is perfect for room booking, access control, and room information systems. Designed with front IP65 water and dust resistance, it delivers durability and sleek aesthetics for industrial and commercial environments.

## SPECIFICATIONS

### Display

|                       |   |                         |                 |
|-----------------------|---|-------------------------|-----------------|
| <b>Resolution</b>     | 1280x800                                | <b>Size</b>             | 10.1 inches     |
| <b>Contrast Ratio</b> | 800:1                                   | <b>Panel Brightness</b> | 350.0 nits      |
| <b>View Angles</b>    | 85,85,85,85                             | <b>Active Area</b>      | 216.96x135.6 mm |
| <b>Touch / Glass</b>  | Projected Capacitive Multi Touch Screen |                         |                 |

### System Specification

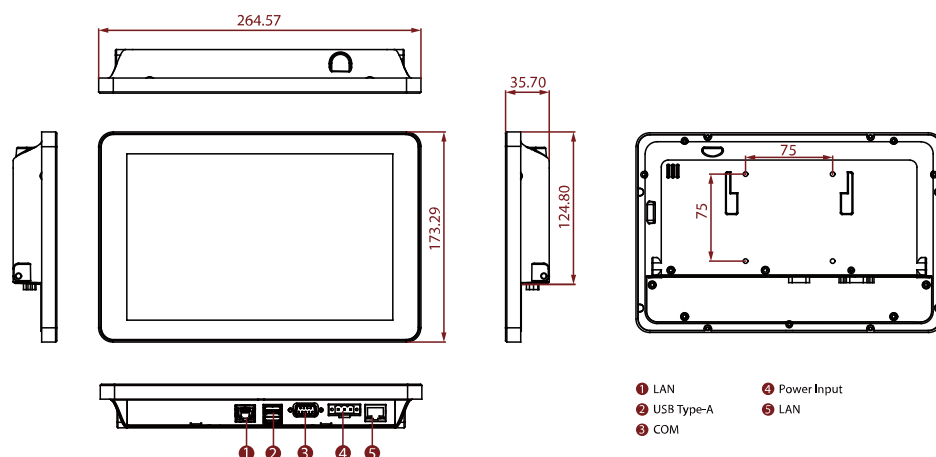
|                  |  |                            |  |
|------------------|--|----------------------------|--|
| <b>Processor</b> | Intel Pentium N4200 1.1GHz (up to 2.5GHz)  | <b>Memory</b>              | 4GB(Default) (Default)<br>8GB (Optional)                                       |
| <b>Storage</b>   | 128GB SSD(Default) (Default)<br>256GB SSD (Optional)<br>512GB SSD (Optional)<br>1TB (Optional) | <b>Ethernet controller</b> | 2 x Intel® Ethernet Controller   |
| <b>Security</b>  | TPM 2.0  | <b>Operating System</b>    | Windows 10 IoT Enterprise (64 bit) (Optional)<br>Linux Ubuntu 20.04 (Optional) |
| <b>WLAN</b>      | Support (Optional)   | <b>BT</b>                  | Support (Optional)   |
| <b>RFID</b>      | HF RFID Reader 13.56 MHz (Optional)  |                            |  |

### Mechanical

|                  |   |                  |   |
|------------------|---|------------------|---|
| <b>Dimension</b> | 264.57 x 173.29 x 35.7 mm                     | <b>Weight</b>    | 1.2 kg                                    |
| <b>Mounting</b>  | Wall mount (Default)<br>VESA mount (Optional) | <b>Enclosure</b> | Plastic Front Bezel with Metal Back Cover |

|                      |  |                       |  |
|----------------------|--|-----------------------|--|
| Cooling System       | Fanless Design   | Cut out               | 250x159mm  |
| <b>Environment</b>   |  |                       |  |
| Operating Humidity   | 10% to 90% RH, Non-Condensing  | Operating Temperature | 0°C to 50°C  |
| Storage Temperature  | -10°C to 60°C  | IP rating             | Front IP65   |
| <b>Certification</b> |  |                       |  |
| Certification        | CE, FCC  |                       |  |
| <b>IO Ports</b>      |  |                       |  |
| Power Input          | 1 x 12V DC, 3-Pin Terminal Block   | USB Port              | 2 x USB3.2 Gen2x1 (Type-A)   |
| Serial Port          | 1 x RS232/422/485 (Default RS232)  | Audio                 | 1 x Speaker  |
| Expansion Port       | 1 x M.2 2242 B-key Slot (for SATA III SSD)<br>1 x M.2 2230 E-Key Slot (for Wi-Fi module)   | LAN                   | 2 x 2.5 Giga LAN RJ45 Connector, One with PoE(PD, 802.3at, 25W) (Optional)   |
| <b>Accessory</b>     |  |                       |  |
| Accessory            | 100~240V AC to DC Adapter<br>Power Cord<br>Terminal Block to 2.5Ø Female Adapter Cable<br>Open Wire Cable with terminal block connector<br>VESA screws | Optional Accessory    | VESA Desk Stand (99KK00A0000E or 9B0000000412 or 9B0000000128) (Optional)<br>Front Side Wall Mount Kit (99KK00A0000C) (Optional)<br>Glass Wall Mount Kit (Right side-99KN00A00010, Left side-99KN00A00011) (Optional)<br>VESA bracket mounting kit (1B/IP/IE-98K000A0009L, FA-98K000A000AJ) (Optional) |
| <b>Power</b>         |  |                       |  |
| Power Rating         | 12V DC   | Adapter               | 12V 50W  |
| POE                  | PoE (PD): follows IEEE 802.3at (25 W)  |                       |  |

## DIMENSIONS UNIT:MM



## NOTE

1. Measured at dimming LCD brightness. Varies depending on the usage conditions, or when an external device is attached.
2. Total usable memory will be less dependent upon actual system configuration.
3. Length measurements do not include protrusions. Weight varies with options.
4. This is a simplified drawing and some components are not marked in detail.
5. The product shown in this datasheet is a standard model. For diagrams that contain customized or optional I/O, please contact the Winmate Sales Team for more information.
6. All specifications are subject to change without prior notice.