

R15IP3S-GCC3

15" Intel® Pentium® N4200 G-WIN GC-Series Front IP65 PCAP Panel PC



KEY FEATURES

- 15" 1024 x 768 PCAP multi-touchscreen
- Intel® Pentium® N4200 Apollo Lake Processor
- Fanless cooling system and ultra-low power consumption
- Dual Gigabit Ethernet
- Front IP65 water and dust proof
- Stylish design for room booking, access control, and room information applications

INTRODUCTION

Winmate G-WIN GC Series Panel PC Series offers advanced performance and flexibility, with sizes ranging from 7" to 24" and support for various operating systems, including Windows and Android. Designed with a fanless cooling system and ultra-low power consumption, these panel PCs feature a front IP65-rated edge-to-edge flat design for water and dust resistance and easy cleaning. With versatile I/O options, including USB, HDMI, and RS232/422/485, these robust devices are ideal for industrial automation, kiosks, and control systems, ensuring reliability in harsh environments.

SPECIFICATIONS

Display

Resolution	1024x768	Size	15.0 inches
Contrast Ratio	2000:1	Panel Brightness	300.0 nits
View Angles	88,88,88,88	Active Area	304.1x228.1 mm
Touch / Glass	Projected Capacitive Multi Touch Screen		

System Specification

Processor	Intel Pentium N4200 1.1GHz (up to 2.5GHz)	Memory	4GB(Default) (Default) 8GB (Optional)
Storage	128GB SSD(Default) (Default) 256GB SSD (Optional) 512GB SSD (Optional) 1TB (Optional)	Ethernet controller	2 x Intel® Ethernet Controller
Security	TPM 2.0	Operating System	Windows 10 IoT Enterprise (64 bit) (Optional) Linux Ubuntu 20.04 (Optional)
WLAN	Support (Optional)	BT	Support (Optional)

Environment

Operating Humidity	10% to 90% RH, Non-Condensing	Operating Temperature	0°C to 50°C
Storage Temperature	-20°C to 60°C	Shock	MIL-STD-810G Method 516.6 Procedure I
Vibration	MIL-STD-810G Method 514.6 Procedure I	IP rating	Front IP65

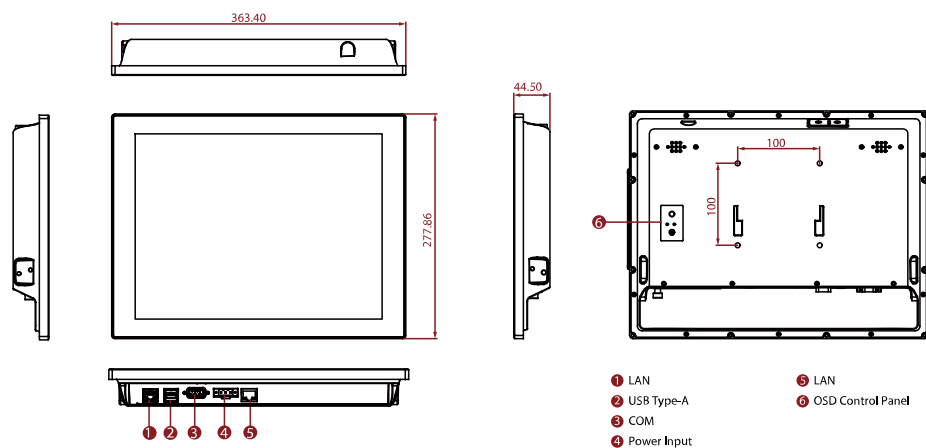
Certification

Certification	CE, FCC
----------------------	---------

IO Ports

USB Port	2 x USB 3.0	Serial Port	1 x RS232(Default)/422/485
Audio	2 x Speaker	LAN	1 x RJ45-10/100/1000 Mbps, 1 x RJ45
Mechanical			
Dimension	363.40 x 277.86 x 44.50 mm	Mounting	VESA mount (Default) Panel mount (Optional)
Enclosure	Metal	Cooling System	Fanless Design
Accessory			
Accessory	Quick Start Guide(Hardcopy) AC Adapter 12V/50W Power Cord 3 Pin Terminal Block to DC Jack		
Control			
Button	1 x Power Button 1 x Reset Button		
Power			
Power Rating	12V DC with Terminal Block		

DIMENSIONS UNIT:MM



NOTE

1. This is a simplified drawing and some components are not marked in detail.
2. Please contact our sales representative if you need further product information.
3. All specifications are subject to change without prior notice.
4. The product shown in this datasheet is a standard model. For diagrams that contain customized or optional I/O, please contact the Winmate Sales Team for more information.