

15"/ 19"/ 21.5"/ 23.8"

G-WIN Panel PC

Intel® Pentium® N4200 (2M Cache, up to 2.5 GHz)



GC Series

Model No. R15IP3S-GCC3
R19IP3S-GCM1
W22IP3S-GCA3
W24IP3S-GCA2

Quick Start Guide

Document Version 1.0
Document Part No. 91521110116F

Contents

Preface	3
1.1 Introduction	6
1.2 Features.....	6
1.3 Package Content.....	6
1.4 Product Overview.....	7
1.5 Physical Buttons and LED Indicators.....	9
2.1 Wiring Requirements.....	10
2.2 Powering On	10
2.3 Turning On and Off Your Device	11
3.1 VESA Mount	12
3.2 Panel Mount.....	13

Preface

FCC Statement



This device complies with part 15 FCC rules.

Operation is subject to the following two conditions:

- This device may not cause harmful interference.
- This device must accept any interference received including interference that may cause undesired operation.

This equipment has been tested and found to comply with the limits for a class "B" digital device, pursuant to part 15 of the FCC rules. These limits are designed to provide reasonable protection against harmful interference when the equipment is operated in a commercial environment. This equipment generates, uses, and can radiate radio frequency energy and, if not installed and used in accordance with the instruction manual, may cause harmful interference to radio communications. Operation of this equipment in a residential area is likely to cause harmful interference in which case the user will be required to correct the interference at his own expense.

European Union



Electromagnetic Compatibility Directive (2014/30/EU)

- EN55024: 2010/ A1: 2015
 - IEC61000-4-2: 2009
 - IEC61000-4-3: 2006+A1: 2007+A2: 2010
 - IEC61000-4-4: 2012
 - IEC61000-4-5: 2014
 - IEC61000-4-6: 2014
 - IEC61000-4-8: 2010
 - IEC61000-4-11: 2004
- EN55032: 2012/AC:2013
- EN61000-3-2:2014
- EN61000-3-3:2013

Low Voltage Directive (2014/35/EU)

- EN 60950-1:2006/A11:2009/A1:2010/A12:2011/ A2:2013

This equipment is in conformity with the requirement of the following EU legislations and harmonized standards. Product also complies with the Council directions.

Copyright Notice

No part of this document may be reproduced, copied, translated, or transmitted in any form or by any means, electronic or mechanical, for any purpose, without the prior written permission of the original manufacturer.

Trademark Acknowledgement

Brand and product names are trademarks or registered trademarks of their respective owners.

Disclaimer

Winmate Inc. reserve the right to make changes, without notice, to any product, including circuits and/or software described or contained in this manual in order to improve design and/or performance. We assume no responsibility or liability for the use of the described product(s) conveys no license or title under any patent, copyright, or masks work rights to these products, and make no representations or warranties that these products are free from patent, copyright, or mask work right infringement, unless otherwise specified. Applications that are described in this manual are for illustration purposes only. We make no representation or guarantee that such application will be suitable for the specified use without further testing or modification.

Warranty

Winmate Inc. warranty guarantees that each of its products will be free from material and workmanship defects for a period of one year from the invoice date. If the customer discovers a defect, we will, at his/her option, repair or replace the defective product at no charge to the customer, provide it is returned during the warranty period of one year, with transportation charges prepaid. The returned product must be properly packaged in its original packaging to obtain warranty service. If the serial number and the product shipping data differ by over 30 days, the in-warranty service will be made according to the shipping date. In the serial numbers the third and fourth two digits give the year of manufacture, and the fifth digit means the month (e. g., with A for October, B for November and C for December).

For example, the serial number 1W16Axxxxxxx means October of year 2016.

Customer Service

We provide a service guide for any problem by the following steps: First, visit the website of our distributor to find the update information about the product. Second, contact with your distributor, sales representative, or our customer service center for technical support if you need additional assistance.

You may need the following information ready before you call:

- Product serial number
- Software (OS, version, application software, etc.)
- Description of complete problem
- The exact wording of any error messages

In addition, free technical support is available from our engineers every business day. We are always ready to give advice on application requirements or specific information on the installation and operation of any of our products.

Advisory Conventions

Four types of advisories are used throughout the Quick Start Guide to provide helpful information or to alert you to the potential for hardware damage or personal injury. These are Notes, Important, Cautions, and Warnings. The following is an example of each type of advisory.



Note:

A note is used to emphasize helpful information



Important:

An important note indicates information that is important for you to know.



Caution

A Caution alert indicates potential damage to hardware and explains how to avoid the potential problem.



Warning!

An Electrical Shock Warning indicates the potential harm from electrical hazards and how to avoid the potential problem.



Alternating Current

The Protective Conductor Terminal (Earth Ground) symbol indicates the potential risk of serious electrical shock due to improper grounding.

Safety Information



Warning!/ Avertissement!

Always completely disconnect the power cord from your chassis whenever you work with the hardware. Do not make connections while the power is on. Sensitive electronic components can be damaged by sudden power surges. Only experienced electronics personnel should open the PC chassis.

Toujours débrancher le cordon d'alimentation du chassis lorsque vous travaillez sur celui-ci. Ne pas brancher de connexions lorsque l'alimentation est présente. Des composantes électroniques sensibles peuvent être endommagées par des sauts d'alimentation. Seulement du personnel expérimenté devrait ouvrir ces chassis.



Caution/ Attention

Always ground yourself to remove any static charge before touching the CPU card. Modern electronic devices are very sensitive to static electric charges. As a safety precaution, use a grounding wrist strap at all times. Place all electronic components in a static-dissipative surface or static-shielded bag when they are not in the chassis.

Toujours vérifier votre mise à la terre afin d'éliminer toute charge statique avant de toucher la carte CPU. Les équipements électroniques modernes sont très sensibles aux décharges d'électricité statique. Toujours utiliser un bracelet de mise à la terre comme précaution. Placer toutes les composantes électroniques sur une surface conçue pour dissiper les charge, ou dans un sac anti-statique lorsqu'elles ne sont pas dans le chassis.

General Guideline

It is recommended to reboot the device when some functions are defect or inactive. If it still can't solve the problems please contact your dealer or agent.

1.1 Introduction

Congratulations on purchasing Winmate® G-WIN GC Series Panel PC. The elegantly designed, yet rugged, industrial grade G-WIN GC series is designed for heavy duty applications.

With rugged construction, ultimate computing power, G-WIN GC Series Panel PC is guaranteed to meet "heavy duty" needs. This series feature high computing power and user-friendly interface with projected capacitive multi-touch (PCAP) technology and support Windows® operating systems. Rugged housing provides front IP65 protection against outer dust and water splash.

1.2 Features

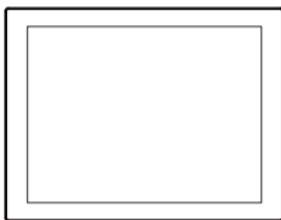
Winmate® GC Series Panel PC features:

- 15"/ 19"/ 21.5"/ 23.8" PCAP touchscreen
- Intel® Pentium® Processor N4200 (2M Cache, up to 2.5 GHz)
- Front IP65 for protection against water and dust
- A true flat, easy-to-clean front surface with edge-to-edge design
- Plenty of I/O - 1 x RS-232/422/485, 2 x USB 3.0, 1 x RJ-45-10/100/1000 Mbps, 1 x RJ-45

1.3 Package Content

Carefully remove the box and unpack your device. Please check if all the items listed below are inside your package. If any of these items are missing or damaged contact us immediately.

Standard factory shipment list:



- **Panel PC**

Varies by product specifications



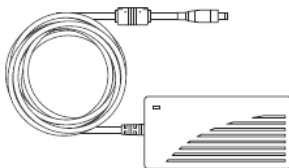
- **Quick Start Guide (Hardcopy)**

Part No. 91521110116F



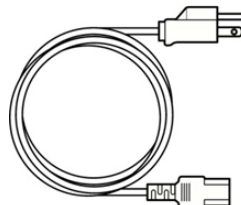
- **Driver CD & Quick Start Guide**

Part No. 915211101067



- **AC Adapter (12V/ 50W)**

Part No.922D050W12VA



- **Power Cable**

Varies by country



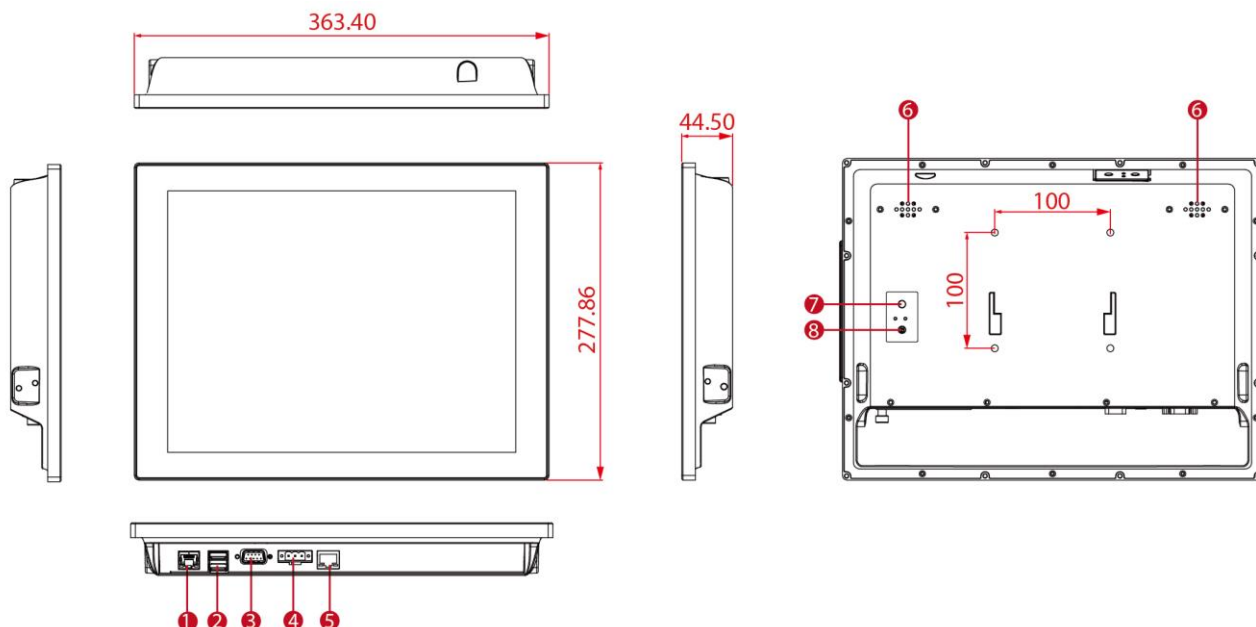
- **Terminal Block 3 Pin to DC Jack Connector**

Part No. 94J602G030K0

1.4 Product Overview

15", R15IP3S-GCC3

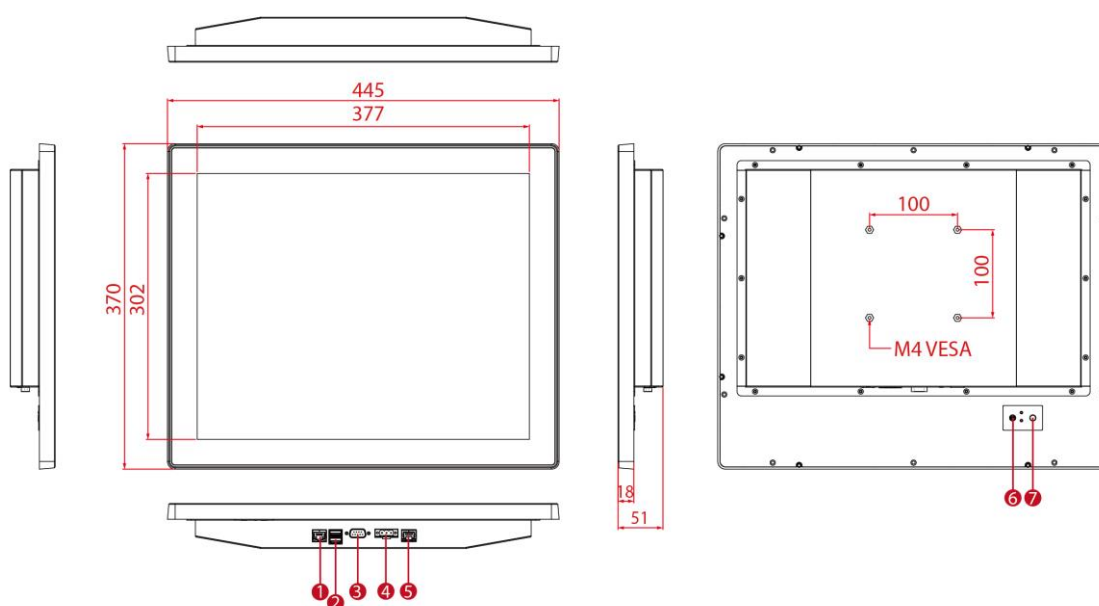
Unit: mm



No	Description	No	Description
①	RJ-45 (LAN)	⑤	RJ-45 (LAN)
②	USB 3.0 x 2	⑥	1 Watt Speaker x 2
③	RS232/422/485	⑦	Power on Button
④	12V DC Terminal Block	⑧	Power Reset Button

19", R19IP3S-GCM1

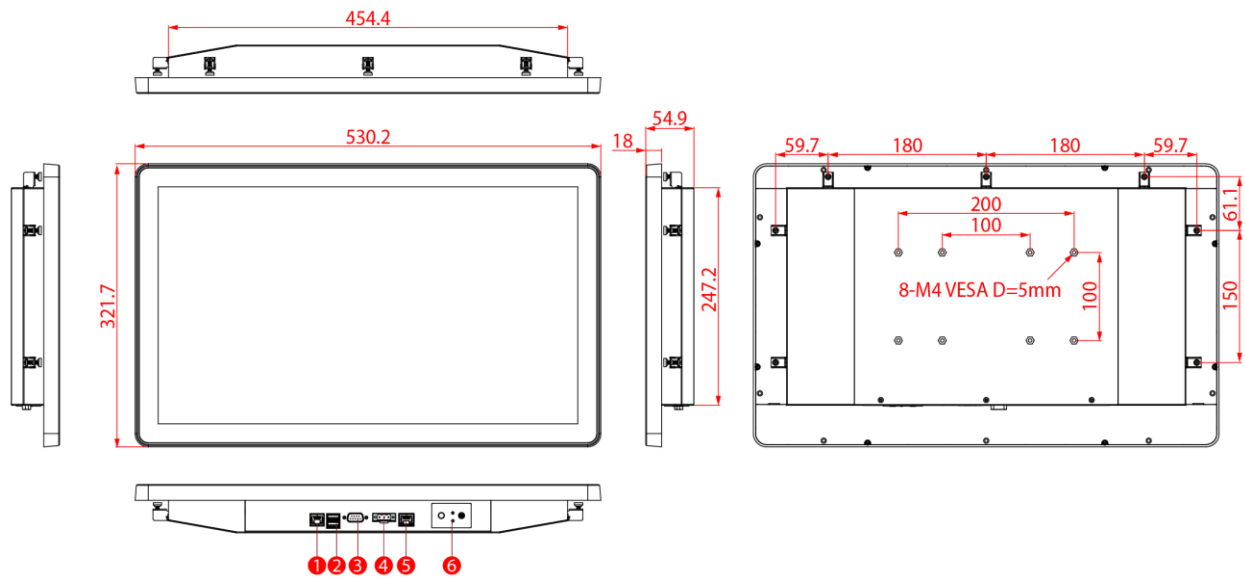
Unit: mm



No	Description	No	Description
①	RJ-45 (LAN)	⑤	RJ-45 (LAN)
②	USB 3.0 x 2	⑥	Power on Button
③	RS232/422/485	⑦	Power Reset Button
④	12V DC Terminal Block		

21.5", W22IP3S-GCA3

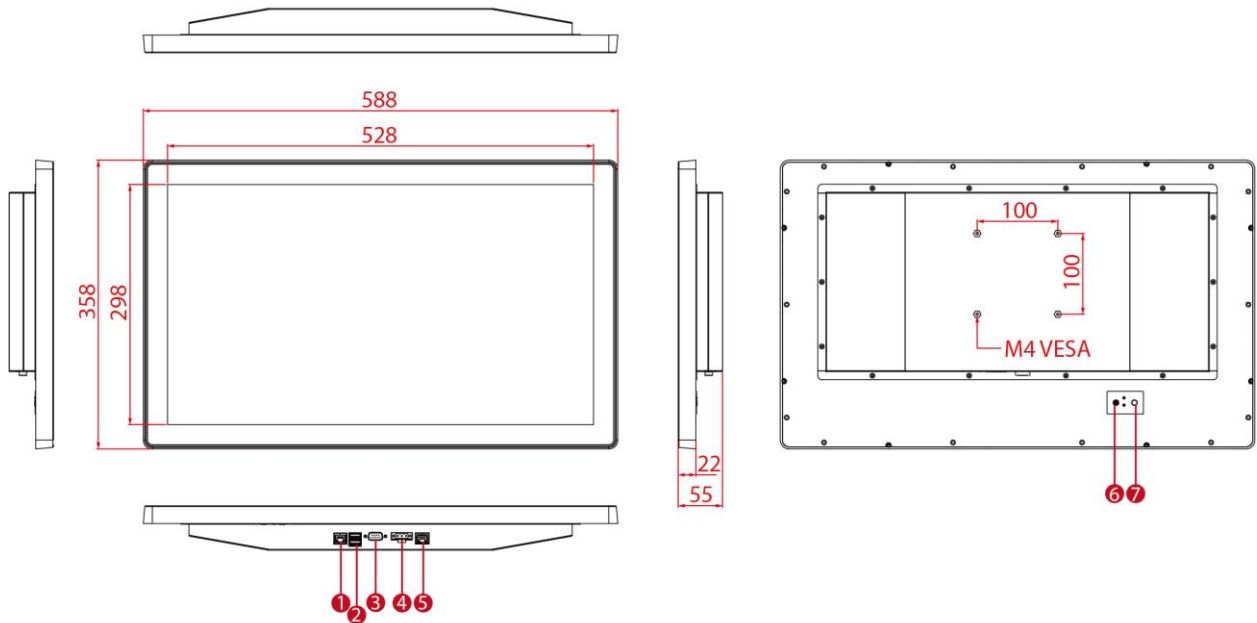
Unit: mm



No	Description	No	Description
①	RJ-45 (LAN)	④	12V DC Terminal Block
②	USB 3.0 x 2	⑤	RJ-45 (LAN)
③	RS232/422/485	⑥	OSD Control Panel

23.8", W24IP3S-GCA2

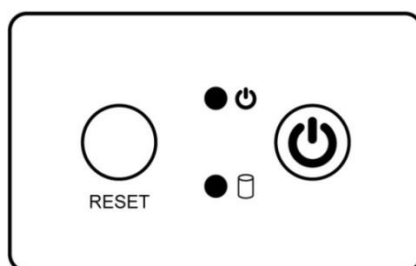
Unit: mm



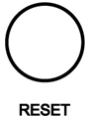

No	Description	No	Description
①	RJ-45 (LAN)	⑤	RJ-45 (LAN)
②	USB 3.0 x 2	⑥	Power on Button
③	RS232/422/485	⑦	Power Reset Button
④	12V DC Terminal Block		

1.5 Physical Buttons and LED Indicators



Physical buttons and LED indicators located on the rear side of the GC Series Panel PC.



Physical Buttons

Icon	Button	Description
	Reset	Press to reset the system
	Power On/ Off	Press to power on or power off the device

LED Indicators

LED Type	Status	Description
	On	Power is on
	Off	Power is off
	Blinking	Storage activity (Data is being read or written)
	Off	System is idle

2.1 Wiring Requirements

The following common safety precautions should be observed before installing any electronic device:



Caution

- Strive to use separate, non-intersecting paths to route power and networking wires. If power wiring and device wiring paths must cross make sure the wires are perpendicular at the intersection point.
- Keep the wires separated according to interface. The rule of thumb is that wiring that shares similar electrical characteristics may be bundled together.
- Do not bundle input wiring with output wiring. Keep them separate.
- When necessary, it is strongly advised that you label wiring to all devices.
- Do not run signal or communication wiring and power wiring in the same conduit. To avoid interference, wires with different signal characteristics (i.e., different interfaces) should be routed separately.
- Be sure to disconnect the power cord before installing and/or wiring your device.
- Verify the maximum possible current for each wire gauge, especially for the power cords. Observe all electrical codes dictating the maximum current allowable for each wire gauge.
- If the current goes above the maximum ratings, the wiring could overheat, causing serious damage to your equipment.
- Be careful when handling the unit. When the unit is plugged in, the internal components generate a lot of heat which may leave the outer casing too hot to touch.

2.2 Powering On

Safety Precautions:

- Do not use the adapter in a high moisture environment
- Never touch the adapter with wet hands or foot
- Allow adequate ventilation around adapter while using
- Do not cover the adapter with paper or other objects that will reduce cooling
- Do not use the adapter while it is inside a carrying case
- Do not use the adapter if the cord is damaged
- There are NO serviceable parts inside
- Replace the unit if it is damaged or exposed to excess moisture

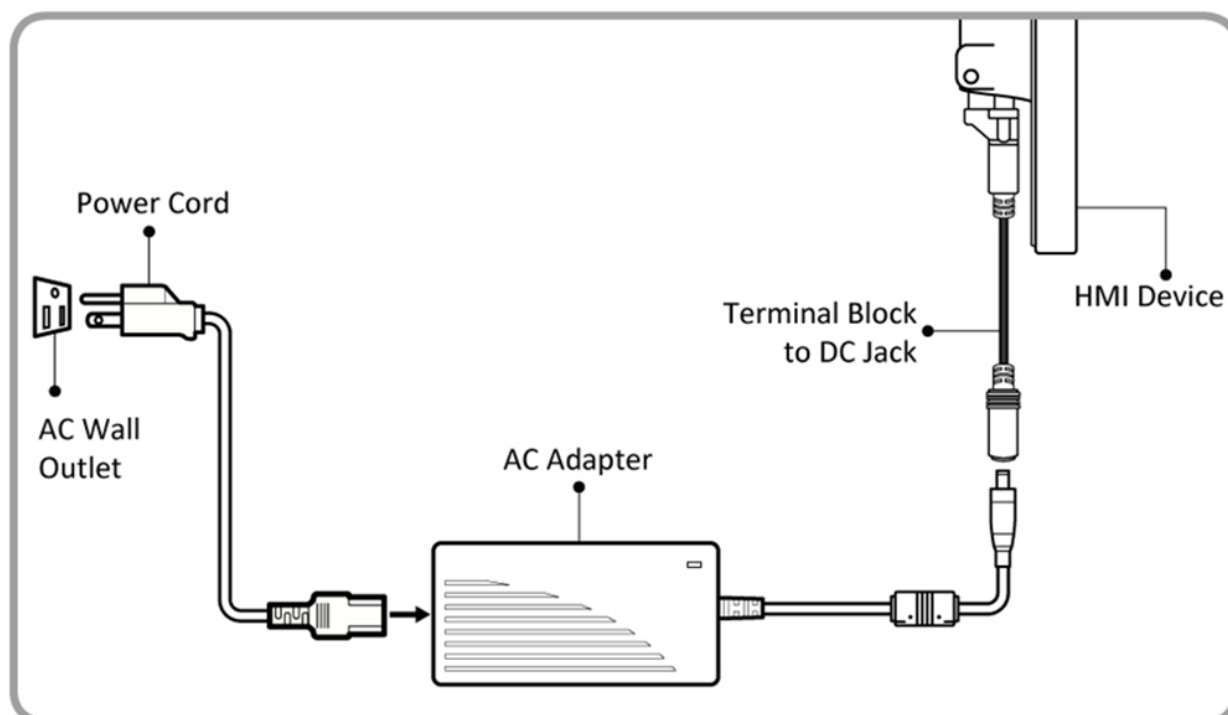
While using the AC Adapter always:

- Plug-in the power cord to easy accessible AC outlet
- Plug-in the AC adapter to a grounded outlet

2.3 Turning On and Off Your Device

To turn on your device:

1. Connect a 3-pin terminal block to the GC Series Panel PC power input connector.
2. Connect the other side of the terminal block to the AC adapter.
3. Connect the AC adapter to the power cord.
4. Plug in the power cord to a working AC wall outlet. The device will boot automatically.



Caution


Use only the AC adapter (12V/ 50W) included in your package (Rating: Output 4.2 A). Using other AC adapters may damage the device.



Alternating Current

This product must be grounded. Use only a grounded AC outlet. Install the additional PE ground wire if the local installation regulations require it.

To shut down the device:

1. Tap **Start**  > **Shut down**.
2. Wait for your Panel PC to completely turn off before disconnecting the power cord (if necessary).

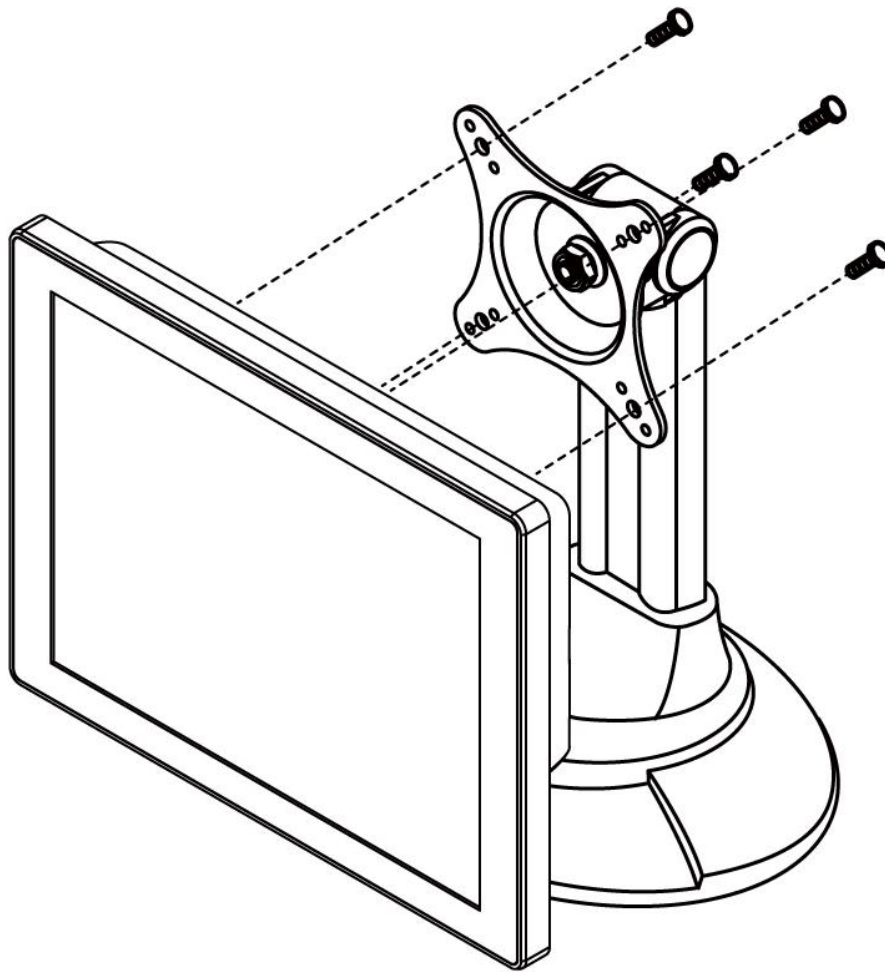
3.1 VESA Mount

This device supports VESA Mounting and provides various types of mounting options to fit any industrial use or vehicle.

Size	VESA Plate	Screw
15"	100 x 100 mm	M4 VESA x 4
19"	100 x 100 mm	M4 VESA x 4
21.5"	100 x 100 mm, 100 x 200 mm	M4 VESA x 8
23.8"	100 x 100 mm	M4 VESA x 4

Mounting Instruction

Use Philips M4x5 screws to fix the desk stand to VESA holes on the back cover of the device.



**The picture is for demonstration purposes only. VESA mount accessories are not supplied by Winmate.*

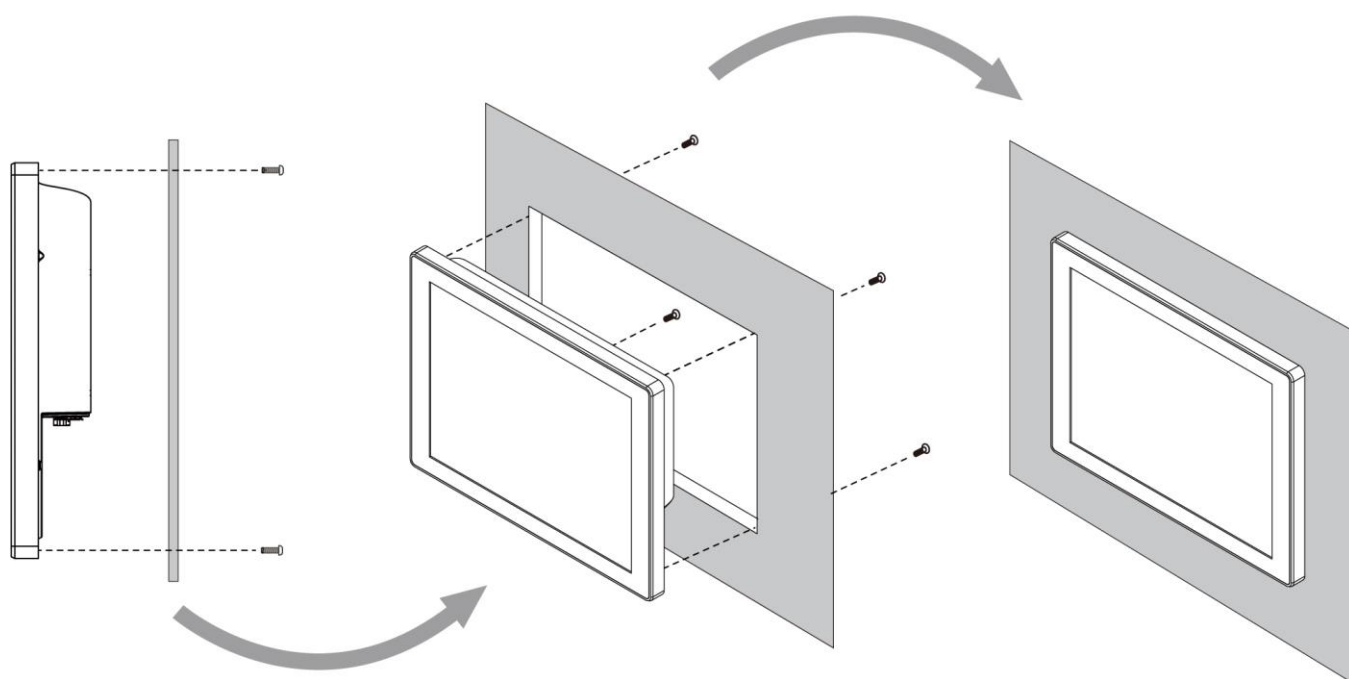
3.2 Panel Mount

Panel Mount mounting solutions is suitable for many applications where Panel PC should be embedded. With this mounting solution flat surface leave no bezel in the front.

Size	Wall Cutout	Screw Hole Diameter
15"	345.4 x 260 mm	M6 x 4 mm
19"	388 x 280 mm	M4 x 4 mm
21.5"	457 x 250 mm	M4 x 4 mm
23.8"	388 x 280 mm	M4 x 4 mm

Mounting Instruction:

1. Prepare a fixture for the specific dimensions of the device.
2. Cut a hole on a sub frame or panel according to the cutout dimensions.
3. Install the device properly onto the cutout area of the sub frame or panel with the sides of the front bezel.
4. Fix the device to fixture with Phillips screws.





Contact Us

Winmate Inc.



No.18, Zhongxing South Rd.,
San-Chung District, New Taipei City 241017, Taiwan
Tel: +886-2-8511-0288
E-mail: sales@winmate.com.tw
Website: www.winmate.com

Winmate USA Inc.



2640 Matthews Street,
Smyrna, GA 30080, USA
Tel: +1-678-653-8800
E-mail: NASales@winmate.com.tw
Website: www.winmate-rugged.com

TTX Canada



150 Werlich Drive, Units 5&6
Cambridge, Ontario, N1T 1N6 Canada
Tel: +1-519-621-1881
E-mail: Sales@ttx.ca
Website: www.ttx.ca

TL Electronic GmbH



Bgm.-Gradl-Str. 1
85232 Bergkirchen-Feldgeding, Germany
Tel: +49 (0)8131 33204-0
E-mail: info@tl-electronic.de
Website: www.tl-electronic.de

京融电自动化科技（苏州）有限公司



215100 江苏省苏州市工业园区唯新路 69 号
一能科技园 3 号楼 206 室
Tel: +86-512-6826-6696/6829-6696
E-mail: sales@winmate.com.cn
Website: www.winmate.com.cn

Winmate JP Office/ HPC System Inc.



LOOP-X 8F,3-9-15 Kaigan,
Minato-ku, Tokyo 108-0022, Japan
Tel: +81-3-5446-5535
Fax: +81-3-5446-5550
Website: www.hpc.co.jp
