

R08IE3S-OFU1

8.4" Intel® Celeron® N6211 Open Frame Panel PC



KEY FEATURES

- 8.4" TFT SVGA LCD
- Intel® Celeron® Elkhart Lake N6211 Processor
- 1 x SO-DIMM, max. 16GB DDR4
- 2 x Gigabit Ethernet
- Supports 2 x SATA III, 4 x COM, 2 x USB 3.2 Gen 2x1, 4 x USB 2.0

INTRODUCTION

Winmate Open Frame Panel PC Series delivers versatility and performance for diverse industrial applications. Available in sizes from 5.7" to 24", these wide, rectangular panel PCs support multiple operating systems and advanced processors for seamless integration. Featuring resistive and PCAP touch options, they offer precise and intuitive operation. The open-frame design ensures easy installation into cabinets or kiosks, making them ideal for factory automation, retail, and interactive digital signage.

SPECIFICATIONS

Display

Resolution	800x600	Size	8.4 inches
Contrast Ratio	600:1	Panel Brightness	600.0 nits
View Angles	75,75,60,70	Active Area	170.4x127.8 mm
Touch / Glass	Resistive Touch Screen (Optional) Protection Glass Without Touch Function (Optional)		

System Specification

WLAN	Support (Optional)	BT	Support (Optional)
Processor	Intel® Celeron® N6211 (up to 3.0GHz)	Memory	1 x SO-DIMM, DDR4 3200 MHz, 4GB (Default) 8GB (Optional) 16GB (Optional)
Storage	1 x M.2 2242 B-key SSD 128GB (Default) 256GB (Optional) 512GB 1 x SATA III for 2.5" SSD/HDD up to 1TB (Optional)	Ethernet controller	2 x Intel® Ethernet Controller
Security	TPM 2.0	Operating System	Windows 11 IoT Enterprise (64 bit) (Optional) Windows 11 Pro 64 bit (Optional) Windows 10 IoT Enterprise (64 bit) (Optional) Linux Ubuntu 22.04 (Optional)

Mechanical

Dimension	251.2 x 174.8 x 55 mm	Weight	1.6 kg
Mounting	Open Frame Panel Mount VESA Mount	Enclosure	Metal Housing
Cooling System	Fanless design		

Environment

Operating Humidity	10% to 90% RH, Non-Condensing	Operating Temperature	0°C to 50°C
Storage Temperature	-10°C to 60°C		

Certification

Certification	CE, FCC
---------------	---------

IO Ports

Power Input	1 x 12V DC, 2.5φ DC jack	USB Port	2 x USB3.2 Gen2x1 (Type-A)
Serial Port	1 x RS232/422/485 (Default RS232) 1 x RS232	Video	1 x HDMI 2.0 (Optional)
Audio	2 x Speaker	Expansion Port	1 x M.2 2242 B-Key Slot (for SATA III SSD) 1 x M.2 2230 E-Key Slot (for Wi-Fi module)
LAN	2 x 2.5 Giga LAN RJ45 Connector	Indicator	1 x LED Indicator for power 1 x LED Indicator for storage
Brightness Knob	1 x Brightness Adjustment Knob		

Control

Button	1 x Power Button 1 x Reset Button
--------	--------------------------------------

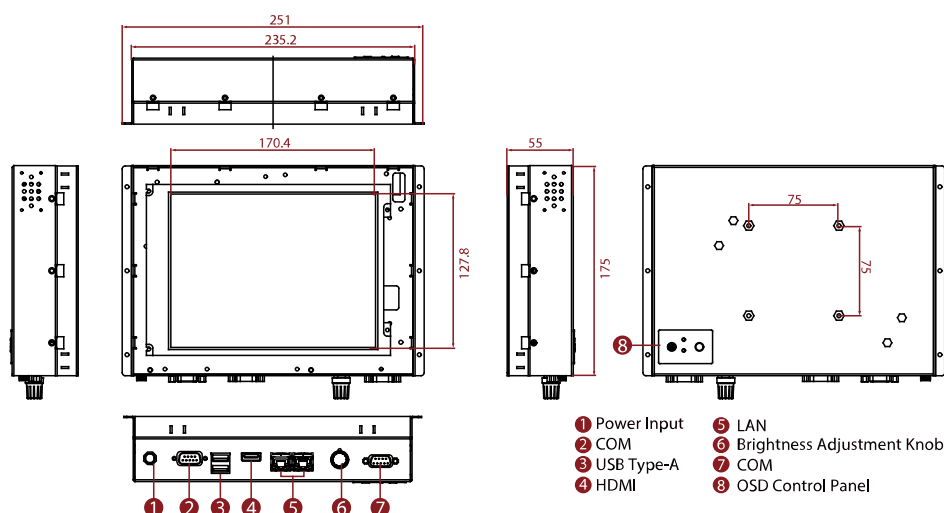
Accessory

Accessory	100~240V AC to DC Adapter Power Cord VESA screws
-----------	--

Power

Power Rating	12V DC	Adapter	12V 50W
--------------	--------	---------	---------

DIMENSIONS UNIT:MM



NOTE

1. This is a simplified drawing and some components are not marked in detail.
2. Please contact our sales representative if you need further product information.
3. All specifications are subject to change without prior notice.
4. The product shown in this datasheet is a standard model. For diagrams that contain customized or optional I/O, please contact the Winmate Sales Team for more information.