

R08IE3S-IPU1

8.4" Intel® Celeron® N6211 Front IP65 Panel PC



KEY FEATURES

- 8.4" TFT SVGA LCD Front IP65 Panel PC
- Intel® Celeron® Elkhart Lake N6211 Processor
- 1 x SO-DIMM, max. 16GB DDR4
- 2 x Gigabit Ethernet
- Supports 2 x SATA III, 4 x COM, 2 x USB 3.2 Gen 2x1, 4 x USB 2.0

INTRODUCTION

Winmate Front IP65 Panel PC Series combines robust performance with a waterproof front design, making it ideal for wet and dusty environments like factory automation, outdoor kiosks, and poolside installations. Available in sizes from 5.7" to 24", these panel PCs support various operating systems and processors. The intuitive touchscreen options and a compact, narrow bezel enhance usability, while the IP65-rated front and easy installation design ensure durability and reliability in industrial and outdoor applications.

SPECIFICATIONS

Display

Resolution	800x600	Size	8.4 inches
Contrast Ratio	600:1	Panel Brightness	600.0 nits
View Angles	75,75,60,70	Active Area	170.4x127.8 mm
Touch / Glass	Resistive Touch Screen (Optional) Protection Glass Without Touch Function (Optional)		

System Specification

WLAN	Support (Optional)	BT	Support (Optional)
Processor	Intel® Celeron® N6211 (up to 3.0GHz)	Memory	4GB(Default) (Default) 8GB (Optional) 16GB (Optional)
Storage	128GB SSD(Default) (Default) 256GB SSD (Optional) 512GB SSD (Optional) 1TB (Optional) 2TB 1 x SATA III for 2.5" SSD/HDD (Optional)	Ethernet controller	2 x Intel® Ethernet Controller
Security	TPM 2.0	Operating System	Windows 11 IoT Enterprise (64 bit) (Optional) Windows 11 Pro 64 bit (Optional) Windows 10 IoT Enterprise (64 bit) (Optional) Linux Ubuntu 22.04 (Optional)

Mechanical

Dimension	275 x 216 x 62 mm	Weight	1.9 kg
Mounting	Panel mount (Default) VESA mount (Optional)	Enclosure	Metal Housing
Cooling System	Fanless Design	Cut out	237 x 177 mm

Environment

Operating Humidity	10% to 90% RH, Non-Condensing	Operating Temperature	0°C to 50°C
Storage Temperature	-10°C to 60°C	IP rating	Front IP65

Certification

Certification	CE, FCC
---------------	---------

IO Ports

Power Input	1 x 12V DC, 2.5φ DC jack	USB Port	2 x USB3.2 Gen2x1 (Type-A)
Serial Port	1 x RS232/422/485 (Default RS232) 1 x RS232	Video	1 x HDMI 2.0 (Optional)
Audio	2 x Speaker	Expansion Port	1 x M.2 2242 B-Key Slot (for SATA III SSD) 1 x M.2 2230 E-Key Slot (for Wi-Fi module)
LAN	2 x 2.5 Giga LAN RJ45 Connector	Indicator	1 x LED Indicator for power 1 x LED Indicator for storage
Brightness Knob	1 x Brightness Adjustment Knob		

Control

Button	1 x Power Button 1 x Reset Button
--------	--------------------------------------

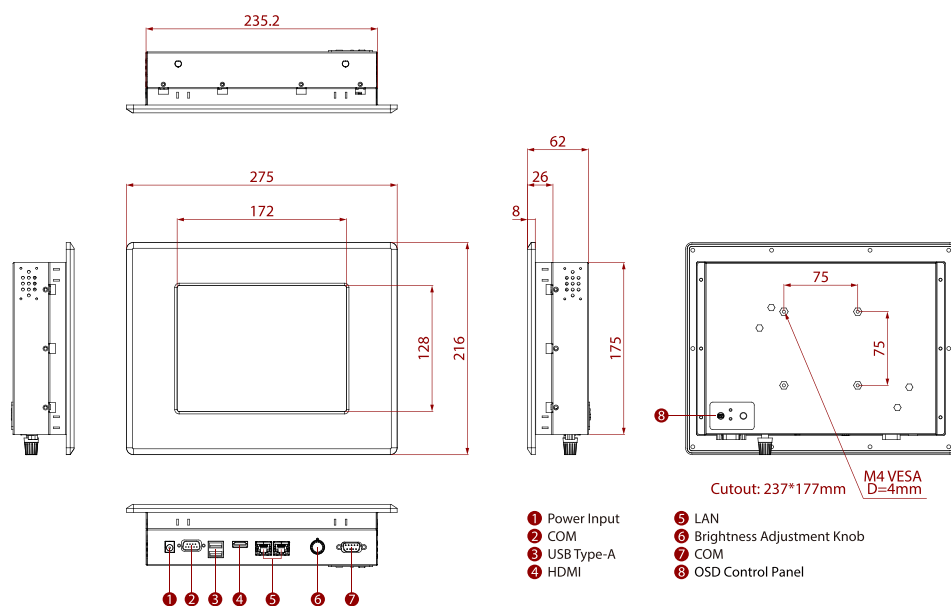
Accessory

Accessory	100~240V AC to DC Adapter Power Cord VESA screws Mounting clips
-----------	--

Power

Power Rating	12V DC	Adapter	12V 50W
--------------	--------	---------	---------

DIMENSIONS UNIT:MM



NOTE

1. This is a simplified drawing and some components are not marked in detail.
2. Please contact our sales representative if you need further product information.
3. All specifications are subject to change without prior notice.
4. The product shown in this datasheet is a standard model. For diagrams that contain customized or optional I/O, please contact the Winmate Sales Team for more information.