

# W07IE3S-EH01

7" Intel® Celeron® N6211 E Series HMI Panel PC



## KEY FEATURES

- 7" 1024 x 600 Resolution with PCAP touchscreen
- Intel® Celeron® N6211 Processor 1.5M Cache, up to 3.0 GHz
- Front IP65 Water and Dust Proof
- Dual Gigabit Ethernet
- Fanless cooling system and ultra-low power consumption

## INTRODUCTION

Winmate E Series HMI offers versatile and reliable solutions for industrial automation, available in sizes from 7" to 15.6". With support for various operating systems including Windows and Linux Ubuntu, it features a PCAP multi-touch display, front IP65 water and dust protection, and a fanless cooling system for ultra-low power consumption. Its robust design includes dual Gigabit Ethernet, multiple I/O ports, and resolutions up to 1920x1080, making it ideal for applications in manufacturing, logistics, and smart factories.

## SPECIFICATIONS

### Display

<b>Resolution</b>	1024x600	<b>Size</b>	7.0 inches
<b>Contrast Ratio</b>	700:1	<b>Panel Brightness</b>	1000.0 nits
<b>View Angles</b>	75,75,75,70	<b>Active Area</b>	153.6x90 mm
<b>Touch / Glass</b>	Projected Capacitive Multi Touch Screen		

### System Specification

<b>Processor</b>	Intel® Celeron® N6211 ( up to 3.0GHz)	<b>Memory</b>	4GB(Default) (Default) 8GB (Optional) 16GB (Optional)
<b>Storage</b>	128GB SSD(Default) (Default) 256GB SSD (Optional) 512GB SSD (Optional) 1TB (Optional) 2TB (Optional)	<b>Ethernet controller</b>	2 x Intel® Ethernet Controller
<b>Security</b>	TPM 2.0	<b>Operating System</b>	Windows 11 IoT Enterprise (64 bit) (Optional) Windows 11 Pro 64 bit (Optional) Windows 10 IoT Enterprise (64 bit) (Optional) Linux Ubuntu 22.04 (Optional)

### Mechanical

<b>Dimension</b>	185 x 128 x 56 mm	<b>Weight</b>	0.9 kg
<b>Mounting</b>	Panel mount (Default) VESA mount (Optional)	<b>Enclosure</b>	Metal Housing & ABS+PC
<b>Cooling System</b>	Fanless Design	<b>Cut out</b>	174.9 x 117.7 mm

### Environment

<b>Operating Humidity</b>	10% to 90% RH, Non-Condensing	<b>Operating Temperature</b>	0°C to 50°C
---------------------------	-------------------------------	------------------------------	-------------

Storage Temperature	-10°C to 60°C	IP rating	Front IP65
---------------------	---------------	-----------	------------

### Certification

Certification	CE, FCC
---------------	---------

### IO Ports

Power Input	1 x 12V DC, 2.5φ DC jack	USB Port	2 x USB3.2 Gen2x1 (Type-A)
Serial Port	1 x RS232/422/485 (Default RS232)	Video	1 x HDMI 2.0 (Optional)
Expansion Port	1 x M.2 2230 E-Key Slot (for Wi-Fi module)	LAN	2 x 2.5 Giga LAN RJ45 Connector

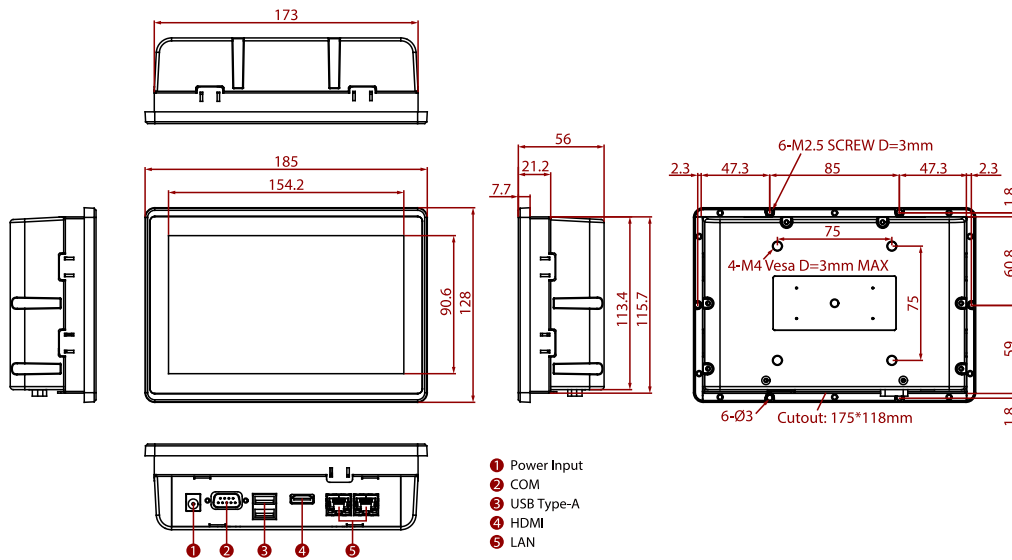
### Accessory

Accessory	100~240V AC to DC Adapter Power Cord VESA screws Mounting clips
-----------	--

### Power

Power Rating	12V DC	Adapter	12V 50W
--------------	--------	---------	---------

## DIMENSIONS UNIT:MM



## NOTE

1. This is a simplified drawing and some components are not marked in detail.
2. Please contact our sales representative if you need further product information.
3. All specifications are subject to change without prior notice.
4. The product shown in this datasheet is a standard model. For diagrams that contain customized or optional I/O, please contact the Winmate Sales Team for more information.