

W07IE3S-EHT1

7" Intel® Celeron® N6211 E Series HMI Panel PC



KEY FEATURES

- 7" 1024 x 600 Resolution with PCAP touchscreen
- Intel® Celeron® N6211 Processor 1.5M Cache, up to 3.0 GHz
- Front IP65 Water and Dust Proof
- Dual Gigabit Ethernet
- Fanless cooling system and ultra-low power consumption

INTRODUCTION

Winmate E Series HMI offers versatile and reliable solutions for industrial automation, available in sizes from 7" to 15.6". With support for various operating systems including Windows and Linux Ubuntu, it features a PCAP multi-touch display, front IP65 water and dust protection, and a fanless cooling system for ultra-low power consumption. Its robust design includes dual Gigabit Ethernet, multiple I/O ports, and resolutions up to 1920x1080, making it ideal for applications in manufacturing, logistics, and smart factories.

SPECIFICATIONS

Display

Resolution	1024x600	Size	7.0 inches
Contrast Ratio	1000:1	Panel Brightness	320.0 nits
View Angles	75,75,75,70	Active Area	153.6x90 mm
Touch / Glass	Projected Capacitive Multi Touch Screen		

System Specification

Processor	Intel® Celeron® N6211 (up to 3.0GHz)	Memory	1 x SO-DIMM, DDR4 3200 MHz, 4GB (Default) 8GB (Optional) 16GB (Optional)
Storage	1 x M.2 2242 B-key SSD 128GB (Default) 256GB (Optional) 512GB (Optional)	Ethernet controller	2 x Intel® Ethernet Controller
Security	TPM 2.0	Operating System	Windows 11 IoT Enterprise (64 bit) (Optional) Windows 11 Pro 64 bit (Optional) Windows 10 IoT Enterprise (64 bit) (Optional) Linux Ubuntu 22.04 (Optional)

Mechanical

Dimension	185 x 128 x 56 mm	Weight	0.9 kg
Mounting	Panel mount (Default) VESA mount (Optional)	Enclosure	Metal Housing & ABS+PC
Cooling System	Fanless Design	Cut out	174.9 x 117.7 mm

Environment

Operating Humidity	10% to 90% RH, Non-Condensing	Operating Temperature	0°C to 50°C
Storage Temperature	-10°C to 60°C	IP rating	Front IP65

Certification

Certification CE, FCC

IO Ports

Power Input	1 x 12V DC, 2.5φ DC jack	USB Port	2 x USB3.2 Gen2x1 (Type-A)
Serial Port	1 x RS232/422/485 (Default RS232)	Video	1 x HDMI 2.0 (Optional)
Expansion Port	1 x M.2 2242 B-Key Slot (for SATA III SSD) 1 x M.2 2230 E-Key Slot (for Wi-Fi module)	LAN	2 x 2.5 Giga LAN RJ45 Connector

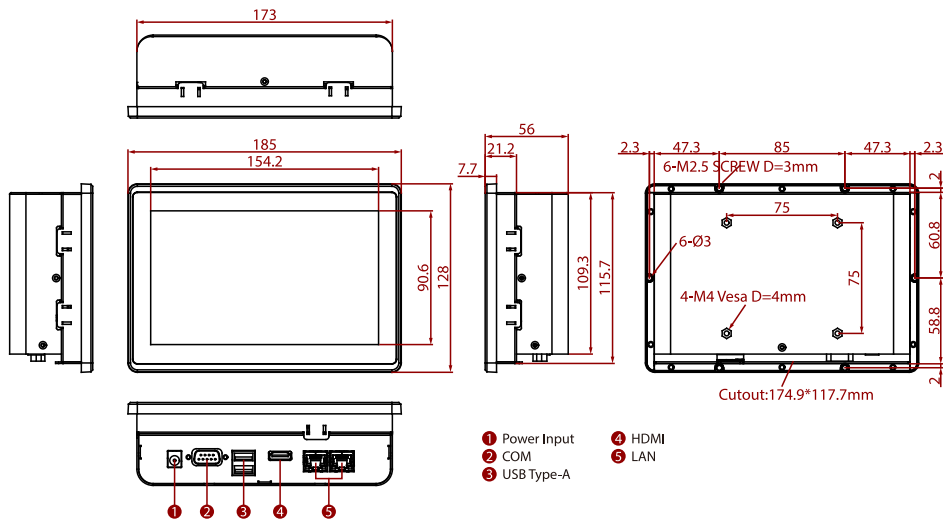
Accessory

Accessory 100~240V AC to DC Adapter
Power Cord
VESAs screws
Mounting clips

Power

Power Rating 12V DC Adapter 12V 50W

DIMENSIONS UNIT:MM



NOTE

1. This is a simplified drawing and some components are not marked in detail.
2. Please contact our sales representative if you need further product information.
3. All specifications are subject to change without prior notice.
4. The product shown in this datasheet is a standard model. For diagrams that contain customized or optional I/O, please contact the Winmate Sales Team for more information.