

W10IE3S-PPH2

10.1" Intel® Celeron® N6211 PP Series HMI Panel PC



KEY FEATURES

- 10.1" 1280 x 800 Resolution
- Intel® Celeron® Elkhart Lake N6211 Processor
- PCAP multi-touch screen
- Front IP65 Water and Dust Proof
- Dual Gigabit Ethernet
- Fanless cooling system and ultra-low power consumption

INTRODUCTION

Winmate PP Series HMI offers a sleek and modern solution for industrial automation and control applications, featuring sizes from 7" to 27" with optional high-brightness displays up to 1000 nits for enhanced visibility. Designed with a flat, slim aluminum housing, these fanless HMI Panel PCs include a PCAP multi-touch screen, multiple I/O interfaces, and support for DP/HDMI/LVDS/eDP. The front IP65-rated water and dust protection ensures durability in harsh environments, making them ideal for industrial control, room scheduling, and interactive displays.

SPECIFICATIONS

Display

Resolution	1280x800	Size	10.1 inches
Contrast Ratio	800:1	Panel Brightness	350.0 nits
View Angles	85,85,85,85	Active Area	216.96x135.6 mm
Touch / Glass	Projected Capacitive Multi Touch Screen		

System Specification

WLAN	Support (Optional)	BT	Support (Optional)
Processor	Intel® Celeron® N6211 (up to 3.0GHz)	Memory	4GB(Default) (Default) 8GB (Optional) 16GB (Optional)
Storage	128GB SSD(Default) (Default) 256GB SSD (Optional) 512GB SSD (Optional) 1TB (Optional) 2TB 1 x SATA III for 2.5" SSD/HDD (Optional)	Ethernet controller	2 x Intel® Ethernet Controller
Security	TPM 2.0	Operating System	Windows 11 IoT Enterprise (64 bit) (Optional) Windows 11 Pro 64 bit (Optional) Windows 10 IoT Enterprise (64 bit) (Optional) Linux Ubuntu 22.04 (Optional)

Mechanical

Dimension	295 x 200 x 53 mm	Weight	1.9 kg
Mounting	Panel mount (Default) VESA mount (Optional)	Enclosure	Metal Housing
Cooling System	Fanless Design	Cut out	240 x 165 mm

Environment

Operating Humidity	10% to 90% RH, Non-Condensing	Operating Temperature	0°C to 50°C
Storage Temperature	-10°C to 60°C	IP rating	Front IP65

Certification

Certification	CE, FCC
----------------------	---------

IO Ports

Power Input	1 x 12V DC, 2.5φ DC jack	USB Port	2 x USB3.2 Gen2x1 (Type-A)
Serial Port	1 x RS232/422/485 (Default RS232) 1 x RS232	Video	1 x HDMI 2.0 (Optional)
Audio	2 x Speaker	Expansion Port	1 x M.2 2242 B-Key Slot (for SATA III SSD) 1 x M.2 2230 E-Key Slot (for Wi-Fi module)
LAN	2 x 2.5 Giga LAN RJ45 Connector	Indicator	1 x LED Indicator for power 1 x LED Indicator for storage
Brightness Knob	1 x Brightness Adjustment Knob		

Control

Button	1 x Power Button 1 x Reset Button
---------------	--------------------------------------

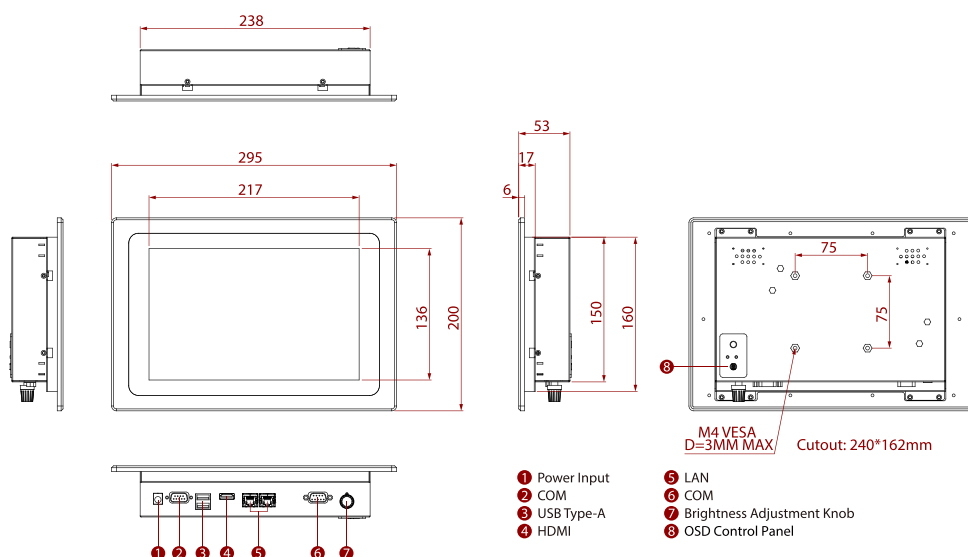
Accessory

Accessory	100~240V AC to DC Adapter Power Cord VESA screws Mounting clips
------------------	--

Power

Power Rating	12V DC	Adapter	12V 50W
---------------------	--------	----------------	---------

DIMENSIONS UNIT:MM



NOTE

1. This is a simplified drawing and some components are not marked in detail.
2. Please contact our sales representative if you need further product information.
3. All specifications are subject to change without prior notice.
4. The product shown in this datasheet is a standard model. For diagrams that contain customized or optional I/O, please contact the Winmate Sales Team for more information.