

W07IE3S-PCT1AC-POE

7" Intel® Celeron® N6211 S Series HMI Panel PC



KEY FEATURES

- 7" 1024 x 600 320nits Panel with PCAP multi-touch screen
- Intel® Celeron® Elkhart Lake N6211 Processor
- Fanless cooling system and ultra-low power consumption
- Dual 2.5 Gigabit Ethernet
- RGB LED Light Bar
- Front IP65 water and dust proof
- Optional 2 MP Front Camera
- Optional HF RFID Reader
- Support PoE function
- Stylish design for room booking, access control and room information applications

INTRODUCTION

Winmate S-Series HMI offers a stylish and versatile solution for modern automation and control applications. Available in sizes from 7" to 15", this wide rectangular Panel PC supports Power over Ethernet, multiple processors, and operating systems like Windows and Android. With optional HF RFID reader and built-in RGB LED light bar, it is perfect for room booking, access control, and room information systems. Designed with front IP65 water and dust resistance, it delivers durability and sleek aesthetics for industrial and commercial environments.

SPECIFICATIONS

Display

Resolution	1024x600	Size	7.0 inches
Contrast Ratio	1000:1	Panel Brightness	320.0 nits
View Angles	75,75,75,70	Active Area	153.6x90 mm
Touch / Glass	Projected Capacitive Multi Touch Screen		

System Specification

WLAN	Support (Optional)	BT	Support (Optional)
RFID	HF RFID Reader 13.56 MHz (Optional)	Light Bar	Built-in RGB LED Status Light Bar, on both sides
Processor	Intel® Celeron® N6211 (up to 3.0GHz)	Memory	4GB(Default) (Default) 8GB (Optional) 16GB (Optional)
Storage	128GB SSD(Default) (Default) 256GB SSD (Optional) 512GB SSD (Optional) 1TB (Optional) 2TB (Optional)	Ethernet controller	2 x Intel® Ethernet Controller
Security	TPM 2.0	Operating System	Windows 11 IoT Enterprise (64 bit) (Optional) Windows 11 Pro 64 bit (Optional) Windows 10 IoT Enterprise (64 bit) (Optional) Linux Ubuntu 22.04 (Optional)

Mechanical

Dimension	189.4 x 145.4 x 39.8 mm	Weight	1.0 kg
Mounting	Wall mount (Default) VESA mount (Optional)	Enclosure	Metal Housing
Cooling System	Fanless Design	Cut out	175.5x131.5mm

Environment

Operating Humidity	10% to 90% RH, Non-Condensing	Operating Temperature	0°C to 50°C
Storage Temperature	-10°C to 60°C	IP rating	Front IP65

Certification

Certification	CE, FCC
----------------------	---------

IO Ports

Power Input	1 x 12V DC, 3-Pin Terminal Block	USB Port	2 x USB3.2 Gen1x1 (Type-A)
Serial Port	1 x RS232/422/485 (Default RS232)	Audio	1 x Speaker
Expansion Port	1 x M.2 2242 B-key Slot (for SATA III SSD) 1 x M.2 2230 E-Key Slot (for Wi-Fi module)	LAN	2 x 2.5 Giga LAN RJ45 Connector, One with PoE(PD, 802.3at, 25W) (Optional)

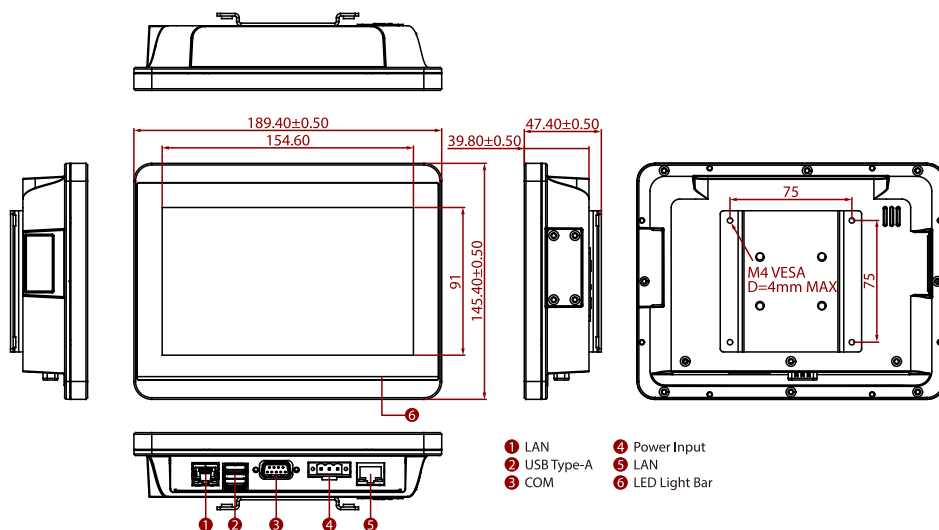
Accessory

Accessory	100~240V AC to DC Adapter Power Cord Terminal Block to 2.5Ø Female Adapter Cable Open Wire Cable with terminal block connector VESA screws	Optional Accessory	VESA Desk Stand (99KK00A0000E or 9B0000000412) (Optional) Front Side Wall Mount Kit (99KN00A0001M) (Optional) VESA bracket mounting kit (82W70J551700) (Optional)
------------------	--	---------------------------	---

Power

Power Rating	12V DC	Adapter	12V 50W
POE	PoE (PD): follows IEEE 802.3at (25 W)		

DIMENSIONS UNIT:MM



NOTE

1. Measured at dimming LCD brightness. Varies depending on the usage conditions, or when an external device is attached.
2. Total usable memory will be less dependent upon actual system configuration.
3. Length measurements do not include protrusions. Weight varies with options.
4. This is a simplified drawing and some components are not marked in detail.
5. The product shown in this datasheet is a standard model. For diagrams that contain customized or optional I/O, please contact the Winmate Sales Team for more information.
6. All specifications are subject to change without prior notice.