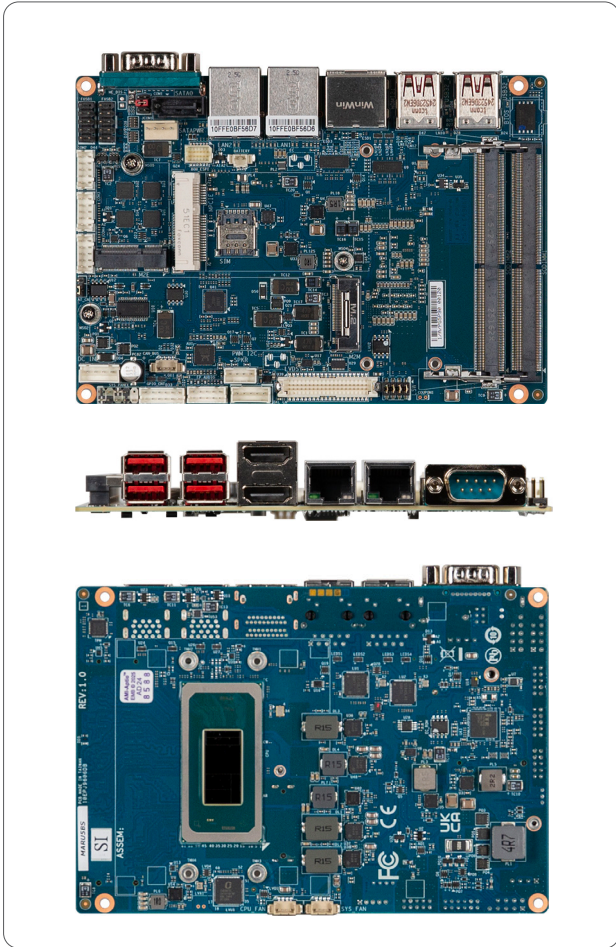


# QBIP-235UB (MARU5CS)

3.5" SubCompact Board with Intel® Core™ Ultra 5 Processor 235U, Dual Channel DDR5 memory, 4 x COM, 1 x SATA 6Gb/s, 4 x USB 3.2 Gen 2x1, 4 x USB 2.0



## Features

- 3.5" SBC
- Intel® Core™ Ultra 5 Processor 235U, Vpro support
- Dual Channel DDR5, 2 x SO-DIMMs/CSO-DIMMs
- 2 x 2.5GbE LAN Ports
- 1 x SATA 6Gb/s Port
- Ultra-Fast M.2 with PCIe Gen4 x4 interface
- 2 x HDMI, LVDS ports for multiple display
- 1 x COM Port (RS-232/422/485 & RI/5V/12V)
- 3 x COM Ports (RS-232/422/485)
- 4 x USB 3.2 Gen 2x1
- 1 x CANBus header

Audio	Realtek® ALC269
Storage	1 x SATA 6Gb/s Port
Raid	Intel® SATA RAID 0/1
Expansion Slots	1 x 2280 M.2 M-Key (PCIe Gen4x4, SATA 6Gb/s) 1 x 2230 M.2 E-Key 1 x Full-size Mini PCIe with SIM slot
Internal I/O	1 x 4-pin box power connector (DC in +9V~36VDC) 1 x SATA Power header 1 x CPU fan header 1 x System fan header 1 x Front panel header 1 x Front panel audio header 1 x 2W Speaker out header 4 x USB 2.0 headers 3 x COM headers (RS-232/422/485) 1 x Backlight Control header 1 x AT/ATX mode select jumper 1 x GPIO (8-bits) & SMBus header 1 x CANBus header
Rear I/O	1 x COM Port (RS-232/422/485 & RI/5V/12V) 2 x HDMI 2 x RJ45 LAN Ports 4 x USB 3.2 Gen 2x1
TPM	Onboard TPM 2.0 security chip INFINEON SLB9672XU2.0
OS Compatibility	Windows 10 IoT Enterprise LTSC 2021(21H2) 64bits Windows 11 IoT Enterprise LTSC 2024(24H2) 64bits
Operating Properties	Operating temperature: 0°C to 60°C Operating humidity: 60°C @ 20-95% (non-condensing) Non-operating temperature: -40°C to 85°C Non-operating humidity: 85°C @ 95% (non-condensing)
Packing Content	Carton size: 465 x 351 x 217 (mm) Packing Capacity: 10pcs  Single Box size: 221 x 178 x 65 (mm)  Including: SATA power Cable x 1 (P/N: 25CRI-200B02-K1R) Thermal pad for Memory x 1 (P/N: 25ST3-290300-S7R)
Order Information	9MARU5CSMR-SI (Box Packing)

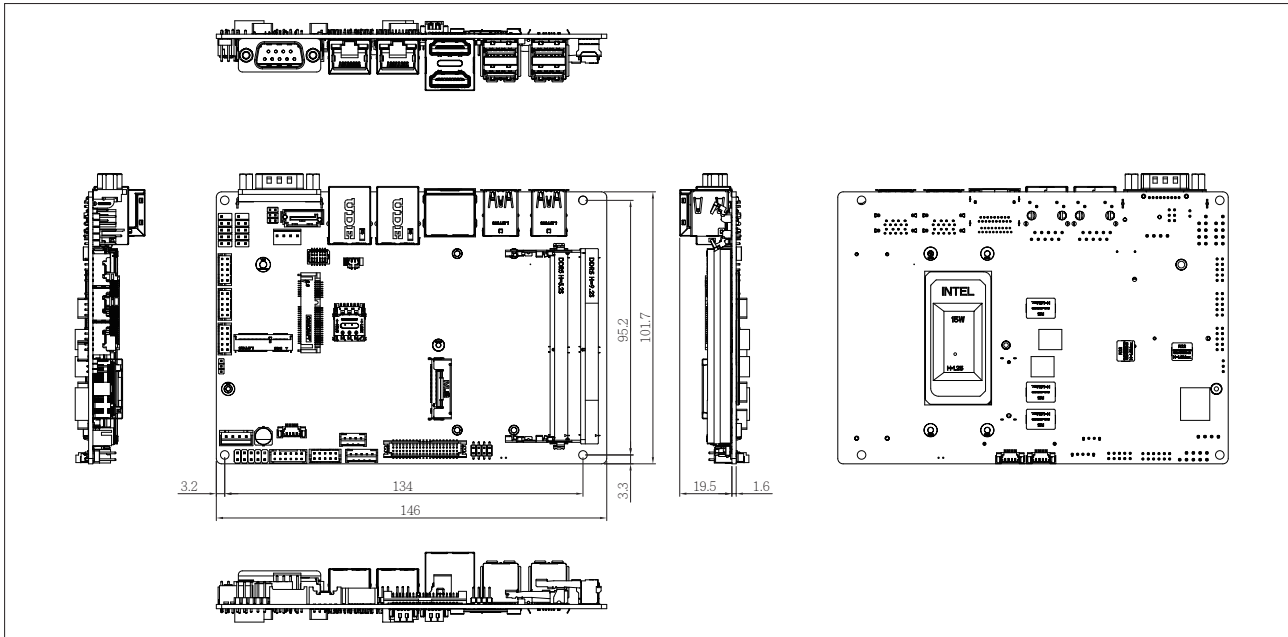
## Specifications

Form Factor	3.5" SBC 146W x 101.7Dmm
CPU	Intel® Core™ Ultra 5 Processor 235U Intel® 3, 12 cores, 2P+8E+2LPE, 14 threads, up to 4.90 GHz, TDP 15W, Vpro support 12 MB Smart Cache
Socket	1 x FCBGA2049
Chipset	—
Memory	2 x DDR5 SO-DIMM sockets, Max. Capacity 96 GB Support Dual Channel DDR5 5600 MHz memory modules or 2 x DDR5 CSO-DIMM sockets, Max. Capacity 128 GB Support Dual Channel DDR5 6400 MHz memory modules
Ethernet	2 x 2.5GbE LAN Ports (Intel® I226V & I226LM)
Video	Integrated Graphics Processor - Intel® Graphics 2 x HDMI2.1 port, supporting a maximum resolution of 7680x4320 @60Hz (HDMI 2 port support HDMI CEC) 1 x LVDS port, supporting a maximum resolution of 1920x1200 @60Hz  (3 independent display outputs)

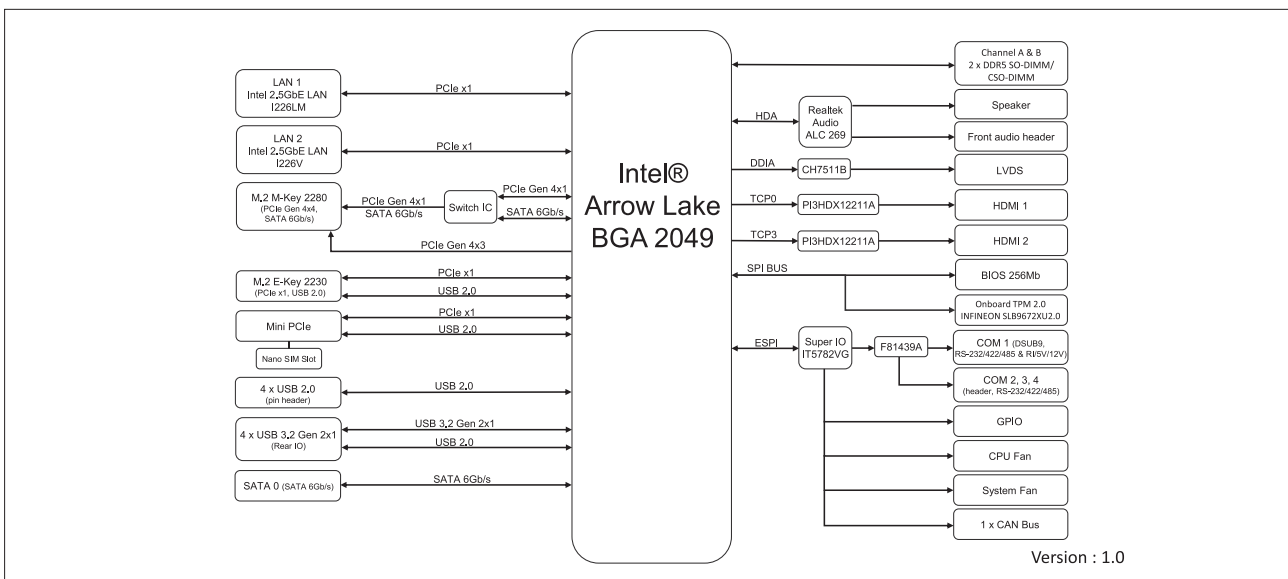
GIGAIPC reserves the right to modify or change technical data without prior notice.

Dimension (Unit: mm)

2026/04/29



## Block Diagram



## Optional Kit

Part No.	Description	Quantity
25ST1-113105-A7R	Fanless Heatsink	1
25ST4-113104-A7R	Fansink	1
25ST1-713000-Y0R	Heat spreader	1

GIGAIPC reserves the right to modify or change technical data without prior notice.