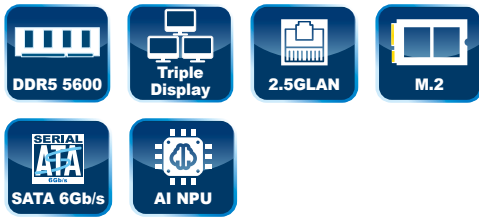


DRPC-243-MTL

- Fanless DIN-Rail Embedded System
- Intel® Core™ Ultra Processors (Series 1)(Meteor Lake platform)

Features

- Supported CPUs:
 - Intel® Core™ Ultra Processors (Series 1)(Meteor Lake platform)
 - Intel® Core™ Ultra 7 155U (up to 4.8GHz, 12-core, 15W TDP)
 - Intel® Core™ Ultra 5 125U (up to 4.3GHz, 12-core, 15W TDP)
- 4 x USB 3.2 Gen2 & 2 x USB 2.0
- Triple independent display (HDMI™ + DP + USB-C)
- 2 x RS-232 & 2 x RS-422/485 (with 2.5KV isolation)
- CE/FCC compliant



Specifications

| Model Name | | DRPC-243-MTL-U5AD | DRPC-243-MTL-U7AD | |
|----------------|----------------------|--|--|--|
| Chassis | Dimensions | 190 (W) x 150 (D) x 81 (H) mm | | |
| | System fan | Fanless (External fan optional) | | |
| | Chassis Construction | Extruded Aluminum alloys | | |
| Motherboard | CPU | Intel® Core™ Ultra 5 125U (up to 4.3GHz, 12-core, 15W TDP) | Intel® Core™ Ultra 7 155U (up to 4.8GHz, 12-core, 15W TDP) | |
| | Chipset | SoC | | |
| | Memory | 2 x SO-DIMM slot DDR5 5600 MHz (16 GB pre-installed) (up to 96GB) | | |
| Storage | Hard drive | 1 x 2.5" SATA 6Gb/s SSD bay | | |
| I/O Interfaces | USB | 4 x USB 3.2 Gen2 Type-A 2 x USB 2.0 Type-A | | |
| | Ethernet | 1 x 2.5 GbE by Intel® I226LM controller 2 x 2.5 GbE by Intel® I226-V controller | | |
| | COM | 2 x RS-232 (DB9 with 2.5KV isolation) 2 x RS-232 (optional) 2 x RS-422/485 with AFC (DB9 with 2.5KV isolation) | | |
| | DIO | 1 x 12-bit(6-in, 6-out)(optional) | | |
| | Display | 1 x HDMI™ 1.4b (up to 4K@30Hz) 1 x DP 1.4b (up to 4K@60Hz) 1 x USB-C (up to 4K@60Hz Display, supports 40Gbps data transfer, 15W power delivery) | | |
| | TPM | Intel® PTT (Firmware TPM 2.0) Optional TPM module via 20-pin header (IEI TPM module P/N:TPM-IN03) | | |
| | Others | 1 x Power button, 1 x 2-pin terminal block for Remote Power Button, 1 x Reset button, 1 x AT/ATX switch, 1 x Power LED (green), 1 x HDD LED (yellow), 4-pin external fan connector | | |
| | Expansions | M.2 | 1 x 2230 A-key (PCIe Gen4 x1/ USB2.0) 1 x 3042/52 B-key (PCIe Gen4 x1/ USB3.2 Gen2/ USB2.0) 1 x On-board SIM card socket (hinge type) for M.2 B key 1 x 2280 M-key (PCIe Gen4 x4) | |
| | | Backplane | 1 x PCIe Gen4 x4 (optional) | |
| | Power | Power input | 3-pin terminal block: 12 ~ 28 VDC | |
| Internal Power | | 4-pin 60w @12V | | |
| Consumption | | 24V @ 3A(Intel® Core™ Ultra5 125U with 16GB memory) | | |
| Reliability | Mounting | DIN-Rail, Wall Mount | | |
| | Operating Temp | -20°C ~ 60°C (with SSD) | | |
| | Storage Temp | -25°C ~ 85°C | | |
| | Humidity | 10% ~ 95%, non-condensing | | |
| | Operating shock | IEC 60068-2-27 half-sine, 5G, 11ms, 100 shocks with SSD | | |
| | Operating vibration | MIL-STD-810H 514.8C-I with SSD | | |
| | Weight (Net/Gross) | 1.6/2.4 KG | | |
| Safety/EMC | CE, FCC | | | |
| OS | Supported OS | Microsoft® Windows 10 / 11, Linux | | |

Built-in Intel® Core™ Ultra Processors (Series 1)(Meteor Lake platform)

Next-generation Edge/IoT platform powered by Intel® Core™ Ultra series 1, built on the Intel 4 process, delivers industry-leading performance per watt.

Integrated Intel® Arc™ Graphics boosts AI and graphics workloads with up to 50% AI performance improvement over previous generations.

With a hybrid architecture of up to 12 cores and 14 threads, it delivers up to +10% single-thread, +24% multi-thread CPU performance, and up to 1.9× near discrete-class graphics performance versus the Intel® Alder Lake-U platform.

| CPU Mark Rating As of 29th of January 2026 - Higher results represent better performance | | |
|--|--|--------|
| Intel Core Ultra 5 125U |  | 16,989 |
| Intel Core i7-1255U |  | 13,086 |

PassMark Software © 2008-2026

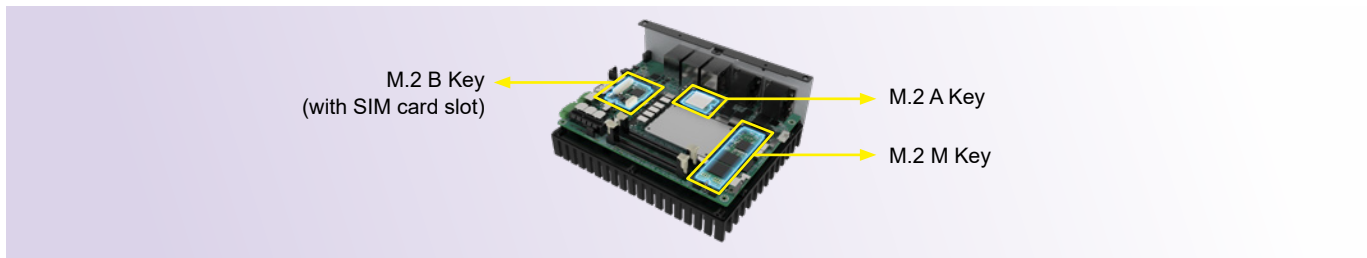
Built-in Intel® I226-LM (V) 2.5GbE Controllers

three RJ-45 Ethernet ports on the I/O panel through Intel® I226LM/I226-V GbE controllers provide up to 2.5G network transmission rate.

USB 3.2 Gen 2 Ports, up to 10Gb/s

Internal M.2 Expansion

The system board has 1 M.2 A Key, 1 M.2 B key, and 1 M.2 M Key. E key supports Wi-Fi or Bluetooth expansion; M Key supports NVMe storage, and B Key (with SIM card holder) supports 4G/5G modules or accelerator cards.



Support Chassis Expansion

The expansion chassis provides one PCIe x4 slot for IEI Mustang accelerator card.

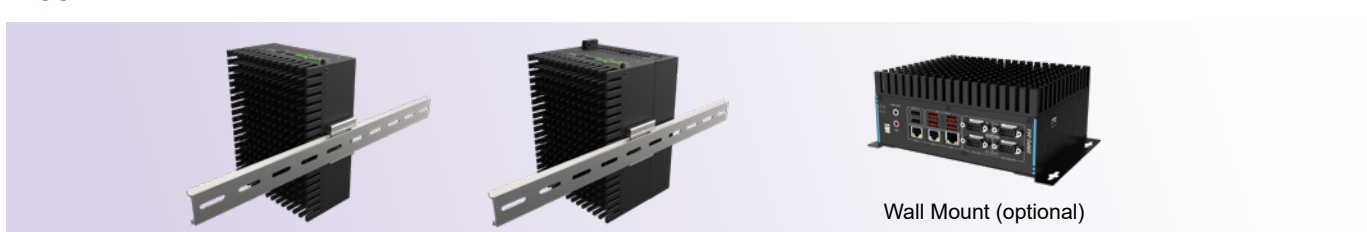


External Fan

Installing an external fan helps to increase system performance in harsh environment.

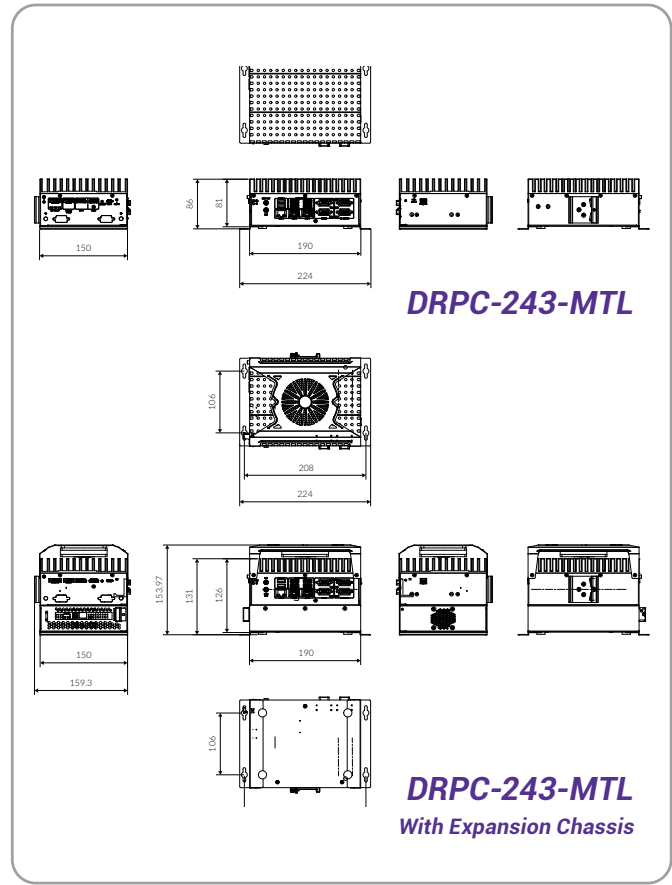
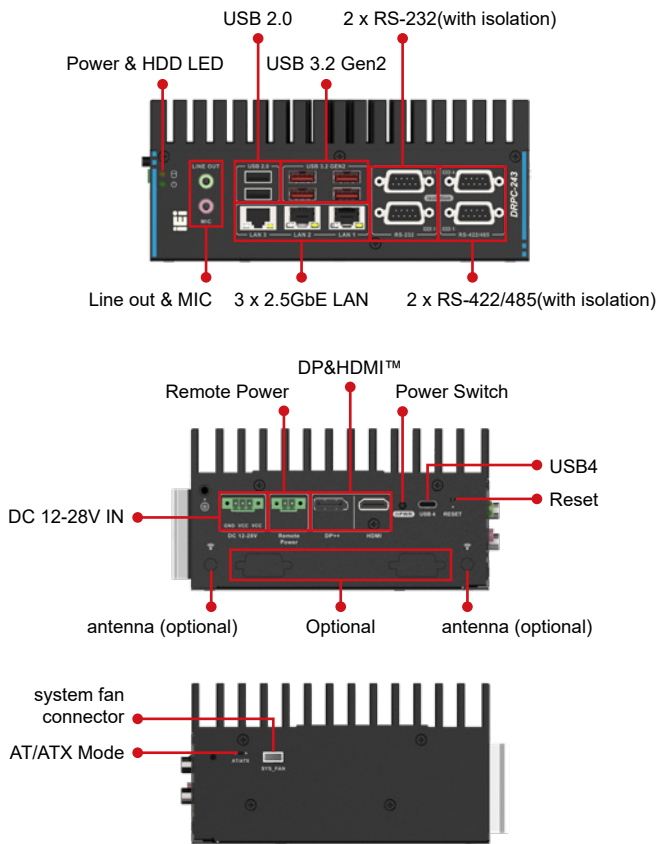


Support DIN-rail Mount



Fully Integrated I/O

Dimensions (Unit: mm)



DRPC-243-MTL

DRPC-243-MTL With Expansion Chassis

Ordering Information

| Part No. | Description |
|-----------------------|---|
| DRPC-243-MTL-U5AD-R10 | Embedded system with Intel® Core™ Ultra 5 125U, pre-installed 1x 16GB DDR5, HDMI™/DP/USB4, 3x 2.5GbE LAN, 4x COM, 6x USB, 12~28V DC, RoHS |
| DRPC-243-MTL-U7AD-R10 | Embedded system with Intel® Core™ Ultra 7 155U, pre-installed 1x 16GB DDR5, HDMI™/DP/USB4, 3x 2.5GbE LAN, 4x COM, 6x USB, 12~28V DC, RoHS |

Options

| Item | Part No. | Description |
|---------------------------|----------------------------------|---|
| WIFI Module | EMB-WIFI-KIT02I3-R10 | 2T2R M.2 wifi module kit for embedded system, IEEE802.11a/b/g/n/ac/ax, 1 x M.2 AE Key Wireless LAN & Bluetooth 5.2; Intel; AX210.NGWG Module, 2 x RF cable, 2 x Antenna; RoHS |
| External FAN Module | SF-DRPC-240-R10 | External fan for DRPC-24x Serial |
| Expansion Chassis | TXC-DRPC-240-1S-R10 | DRPC-240 Series 1 Slot Expansion Chassis with Riser Card |
| DIO Cable | 32031-000601-100-RS | ROUND CABLE;DIO CABLE;;2;250mm;28AWG;(A)D-SUB 15P MALE;(B)DU PONT 2*7P P=2.0 |
| COM Cable | 32205-005401-100-RS | RS-232/422/485 CABLE; 250mm; (A)D-SUB 9P MALE; (B)DU PONT 2 x 5P P=2.0 FEMALE |
| Power Cord | 32702-003600-100-RS | POWER CORD; EUROPEAN CODE(VDE); 1000mm; (A)PLUG:LT-322(16A 250V); (B)CONNECTOR:LT-501(10A 250V) |
| DC Power Conversion Cable | 32102-054800-100-RS | WIRE CABLE;POWER CABLE;;2;200mm;18AWG;300V;(A)POWER DIN 4P FEMALE;(B)TERMINAL BLOCK-3P P=3.5;Wins Precision;C24210816-0;RoHS |
| Power Adapter | 63040-010180-200-RS ¹ | Adapter Power;FSP;FSP180-ABAN3;9NA1804008;Active PFC;Vin:90~264VAC;180W;Dim:75.6*151.3*25.4mm;Plug=6.5mm;Cable=1500mm;Erp(NO LOAD 0.5W);Vout:19VDC;Din 4Pin/lock;CCL;RoHS |
| Power Adapter | 63040-010120-300-RS ¹ | Adapter Power;FSP;FSP120-AHAN3;9NA1206708;Active PFC;Vin:90~264VAC;120W;Dim:75.6*151.3*25.4mm;Plug=6.5mm;Cable=1500mm;Erp(NO LOAD 0.15W);Vout:12VDC;Din 4Pin/lock;CCL;RoHS |
| Wall Mount Kit | 41020-0578C2-00-HF ² | WALL MOUNT BRACKET; NCT processing formation; DRPC-24x Series |
| TPM Module | TPM-IN03-R10 | 20-pin Infineon SPI TPM2.0 module, software management tool |
| M.2 SSD Heatsink | M2-SSD-HS-01 | M.2 2280 SSD Heatsink, Rated for 3 W heat dissipation |

¹ The power adapter needs to be used with the 32102-054800-100-RS DC Power Conversion Cable or process the wire by yourself

² Wall Mount Bracket quantity required 2.

Packing List

| | | |
|---------------------------|----------------|--------------------|
| 1 x DIN-Rail mounting kit | 1 x Screw pack | 1 x Terminal block |
|---------------------------|----------------|--------------------|