

ECW-300B

■ Compact Embedded Chassis for IEI WAFER-RK3568 SBC



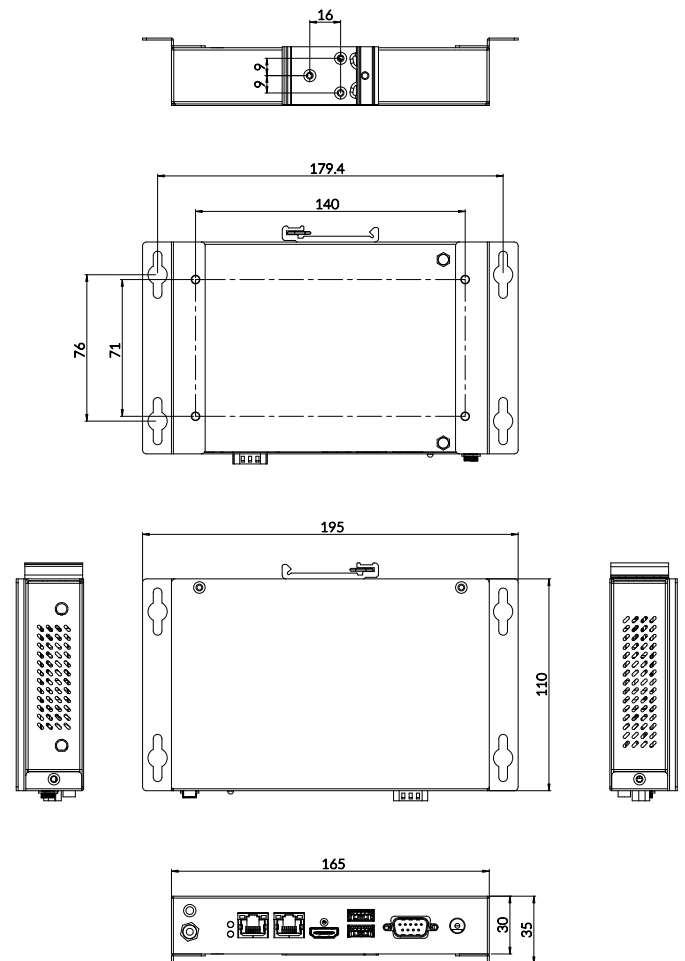
Features

- Designed for 3.5-inch SBC
- Space critical application
- Cost-effective, RoHS compliant design

Specifications

Model Name		EBC-300B
Platform		Case only
Chassis	Color	Black
	Dimensions (WxDxH) (mm)	165 x 110 x 30
	System Fan (WxDxH) (mm)	N/A
Motherboard	Motherboard Model	3.5-inch ARM series SBC
	SBC Size (mm)	WAFER
Storage	Hard Drive	N/A
Button		N/A
Reliability	Mounting	Wall mount, Din-rail
	Operating Temperature	-10°C ~ 50°C
	Weight (Net/Gross)	

Dimensions (Unit: mm)



Compatible SBC

Part No.	SBC SKU
ECW-300B-RK3568-R10	WAFER-RK3568

Ordering Information

Part No.	Description
ECW-300B-RK3568-R10	Embedded chassis for WAFER-RK3568

Packing List

1 x Din-rail mount bracket kit	1 x Screw set	1 x Wall mount bracket kit
--------------------------------	---------------	----------------------------