



mSATA 3IE2-P

HIGHLIGHT FEATURES

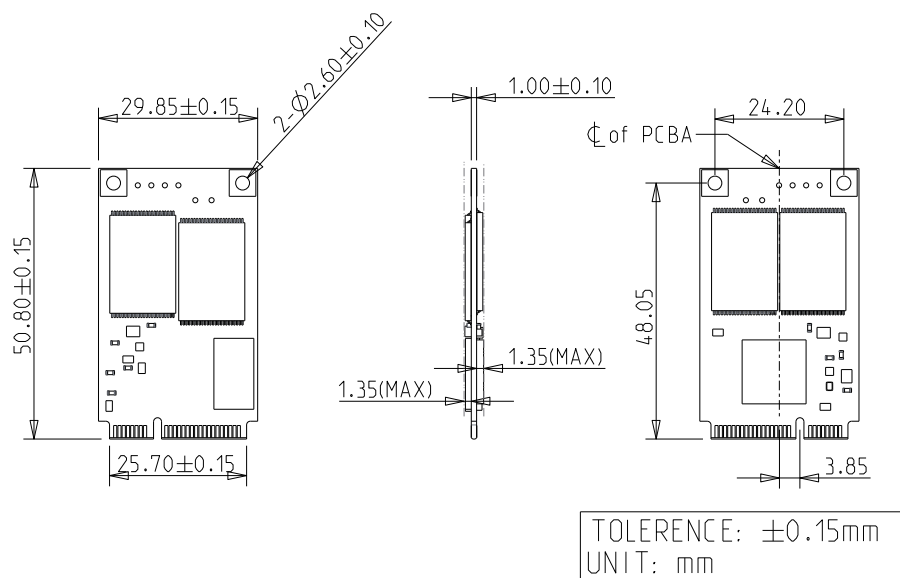
- JEDEC MO-300 standard dimension
- High IOPS by on-board DRAM design
- Intelligent error recovery system
- iSMART disk health monitoring
- Zero mechanical interference
- Supports wide temperature from -40°C to 85°C

SPECIFICATIONS

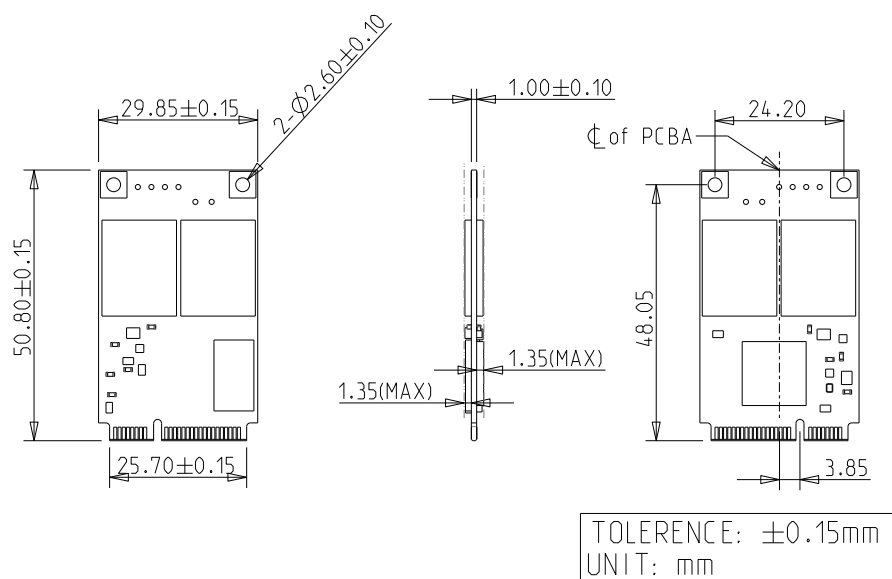
Model Name	mSATA 3IE2-P
Flash Type	iSLC (MLC)
Interface	SATA III 6.0 Gb/s
Form Factor	MO-300
Capacity	8GB ~ 256GB
Sequential R / W (MB/sec, max.)	560 / 470
P/E Cycle	20,000
TBW (Max.)	5,000
Storage Temperature	-55°C ~ 95°C
Max. Power Consumption	2.8W
Max. Channels	4
External DRAM Buffer	Y
H/W Write Protect	Y (Optional)
S.M.A.R.T.	Y
AES	Y
TCG Opal	Y
Dimension (W x L x H/mm)	29.85 x 50.8 x 3.7
Vibration	20G@[7 ~ 2000Hz]
Shock	1500G@0.5ms
MTBF	>3 million hours
Warranty	5 Years

DIAGRAM

TSOP



BGA



ORDER INFO.

Operating Temperature	Standard Grade (0°C ~ 70°C)	Industrial Grade (-40°C ~ 85°C)
8GB	DHMSR-08GD81BC1DC	DHMSR-08GD81BW1DC
16GB	DHMSR-16GD81BC1QC	DHMSR-16GD81BW1QC
32GB	DHMSR-32GD81BC1QC	DHMSR-32GD81BW1QC
64GB	DHMSR-64GD81BC1QC	DHMSR-64GD81BW1QC
128GB	DHMSR-A28D81BC1QC	DHMSR-A28D81BW1QC
256GB	DHMSR-B56D81BCBQC	DHMSR-B56D81BWBQC

HQ (Taiwan) T +886-2-7703-3000 / E sales@innodisk.com

CN T +86-755-2167-3689 / E sales_cn@innodisk.com

US T +1-510-770-9421 / E usasales@innodisk.com

EU T +31-40-3045-400 / E eusales@innodisk.com

JP T +81-3-6667-0161 / E jp_sales@innodisk.com

innodisk