

W24IAD3S-MLA2FP

24" Intel® Core™ i5-1235U Defence Console Rack Panel PC



KEY FEATURES

- Intel® Core™ i5-1235U 3.3GHz (up to 4.40 GHz)
- Anti-Corrosion Housing / Fanless
- Projective Touch
- Compliant with MIL-STD-810G/F , MIL-STD-461E/F
- Flush Rack / Rack Mount Mechanical Design (8U)
- Convenient On-Screen Display Controls
- AC 110~240 V Power input default
- Isolation DC 9~36 V Power input (Optional)
- Built-in Light Sensor for auto brightness control

INTRODUCTION

Winmate Defence Console Rack Panel PC Series is a robust solution designed for mission-critical applications in defense and industrial environments. Available in sizes from 15" to 32", these systems feature Intel® processors, fanless anti-corrosion housing, and projective touch screens for seamless operation. With MIL-STD-810G/F and MIL-STD-461E/F/G compliance, they ensure reliability in extreme conditions. The rack-mount (8U) design, on-screen display controls, and optional isolation DC power input provide versatility, making them ideal for command centers, control rooms, and rugged field deployments.

SPECIFICATIONS

Display

| | | | |
|-----------------------|---|-------------------------|------------------|
| Resolution | 1920x1080 | Size | 24.0 inches |
| Contrast Ratio | 3000:1 | Panel Brightness | 250.0 nits |
| View Angles | 89,89,89,89 | Active Area | 527.04x296.46 mm |
| Touch / Glass | Projected Capacitive Multi Touch Screen (Default) PCAP with With ITO Film (Optional) | | |

System Specification

| | | | |
|------------------|--|----------------------------|--|
| Processor | Intel® Core™ i5-1235U 3.3GHz(up to 4.40 GHz) | Memory | 8GB (Default) 16GB (Optional) 32GB (Optional) |
| Storage | 256GB, up to 2TB | Ethernet controller | 2 x Intel® Ethernet Controller |
| Security | TPM 2.0 | Operating System | Windows 11 IoT Enterprise (64 bit) (Optional) Windows 11 Pro 64 bit (Optional) Linux Ubuntu 22.04(Do not support Wake on Touch) (Optional) |

Environment

| | | | |
|----------------------------|------------------------------|------------------------------|--|
| Operating Humidity | 10% to 95% RH | Operating Temperature | 0~50°C |
| Storage Temperature | -10°C~60°C | Vibration | USA: MIL-STD-810H Method 514.8 – Procedure I NATO: STANAG 4370/AECTP400 Edition 3 Method AECTP 401–Procedure I (optional) |
| Drop | USA: MILSTD810H Method 516.8 | TEMPEST | USA: NSA NSTISSAM TEMPEST/1-92 (optional) NATO: NATO SDIP-27 (optional) |

NATO: STANAG 4370/AECTP400 Edition 3 Method AECTP 404- Procedure II (Optional)

Compliance

| | | | |
|---------------------|--|---------------------|--|
| MIL-STD 461G | USA: MIL-STD-461G: CE101, CE102, RE101, RE102, CS118 (default) CS101, CS114, CS115, CS116, RS101, RS103 (optional) | MIL-STD 810H | USA: MIL-STD-810H (default): Vibration Method 514.6 Humidity Method 507.6 Transit Drop Method 516.6 |
| | NATO: STANAG 4370/AECTP-501: NCE01, NCE02, NRE01, NRE02, NCS12 (default) NCS01, NCS07, NCS08, NCS09, NRS01, NRS02 (optional) | | NATO (optional): Vibration Test STANAG 4370/AECTP-401 Shock STANAG 4370/AECTP-402 Procedure I Drop and Topple Test STANAG 4370/AECTP-404 |

Certification

Certification CE, FCC

IO Ports

| | | | |
|-----------------|----------------------------|--------------------|---|
| USB Port | 2 x USB3.2 Gen2x1 (Type-A) | Serial Port | 1 x RS232/422/485 (Default RS232) 1 x RS232 (optional) |
| Video | 1 x HDMI (optional) | LAN | 2 x Intel® Ethernet Controller |

Mechanical

| | | | |
|------------------|-----------------------------------|-----------------------|---|
| Dimension | 635.2 x 430.9 x 66 mm | Mounting | VESA mount (Default) Rack mount (Optional) |
| Enclosure | Metal Housing with Aluminum Bezel | Cooling System | Fanless Design |

Accessory

Accessory 1 x Manual(Hardcopy)
1 x Driver CD
1 x Power Cord (MIL-DTL-38999/1)

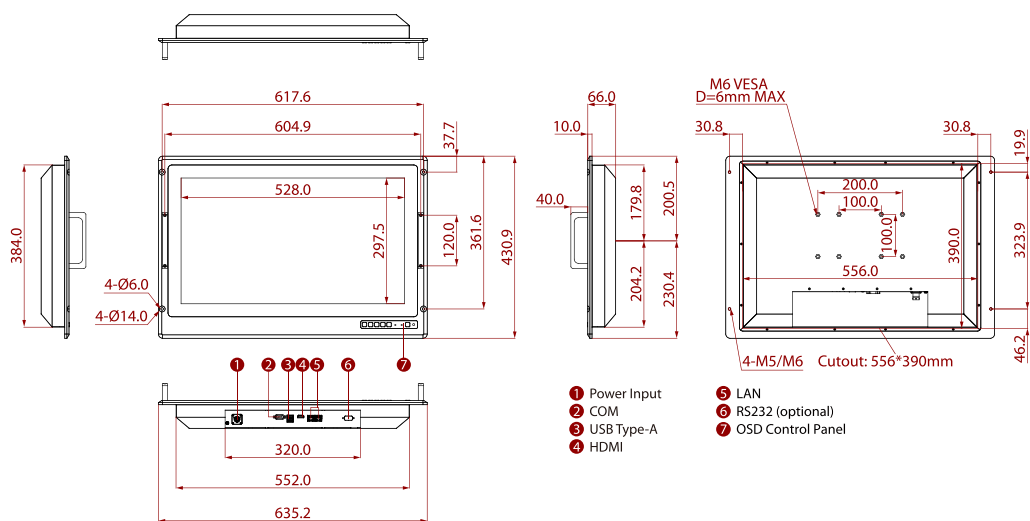
Power

Power Rating AC 100~240V, Universal, ±10% (Default)
DC 9~36V, ±10% (Optional)

Control

Button 6 Key OSD Control Pad:
Power/ Brightness DOWN, Brightness UP/
Night, Day/ Exit, Auto/ Menu

DIMENSIONS UNIT:MM



NOTE

1. This is a simplified drawing and some components are not marked in detail.
2. Please contact our sales representative if you need further product information.
3. All specifications are subject to change without prior notice.
4. The product shown in this datasheet is a standard model. For diagrams that contain customized or optional I/O, please contact the Winmate Sales Team for more information.