

# QL-1335A

Industrial system with Intel® Core™ i5-1335U Processor/ Dual Channel DDR5 up to 96GB/ 2 x HDMI/ 2 x DP/ 1 x DP 1.4 through USB type C (8k)



## Features

- System Size : 178W x 125D x 42.7H (mm)
- Intel® Core™ i5-1335U Processor
- Dual Channel DDR5, 2 x SO-DIMMs
- 2 x HDMI
- 2 x Display Ports
- 2 x 2.5GbE LAN Ports
- 1 x DP 1.4 through USB type C (8k)

Front I/O	1 x USB type C (USB 3.2 Gen 2x1, DP Alt Mode & PD Out -30W)(-100W requests to use 24V/250W adapter) 1 x USB type C (USB 3.2 Gen 2x1, PD input-100W) 4 x USB 3.2 Gen 2x1 2 x HDMI 2 x DP 2 x RJ45 LAN Ports 1 x HDD LED 1 x Power button with LED
Rear I/O	1 x COM Port (RS-232 & RI/5V/12V) 2 x USB 2.0 1 x Combo Audio Jack (Headphone & Headset) 1 x Screw type DC Jack 2 x External Antenna Holes (Optional)
TPM	Onboard TPM 2.0 security chip INFINEON SLB9672VU2.0
Power	+12V~24VDC (Adapter 19.5V/135W)
Operation Temperature	Operating temperature: 0°C to 50°C Operating humidity: 40°C @ 20-95% (non-condensing) Non-operating temperature: -40°C to 85°C Non-operating humidity: 60°C @ 95% (non-condensing) Use wide temperature range memory and storage
Vibration During Operation	Operation: IEC 60068-2-64, 3 Grms, random, 5 ~ 500 Hz, 1 hr / Per Axis, With SSD/M.2 2280 Non-operation: IEC 60068-2-6, 2 G, Sine, 10 ~ 500 Hz, 1 Oct/min, 1 hr / Per Axis
Shock During Operation	Operation: IEC 60068-2-27, 50 G, half sine, 11 ms duration, With SSD
Mounting	Wall mount P/N: 25HB2-CGAA20-CHR x 1 (Optional) VESA 75/100 P/N: 25HB1-TPL021-S8R x 1 + 25KSD-000002-COR x 1 (Screw) (Optional)

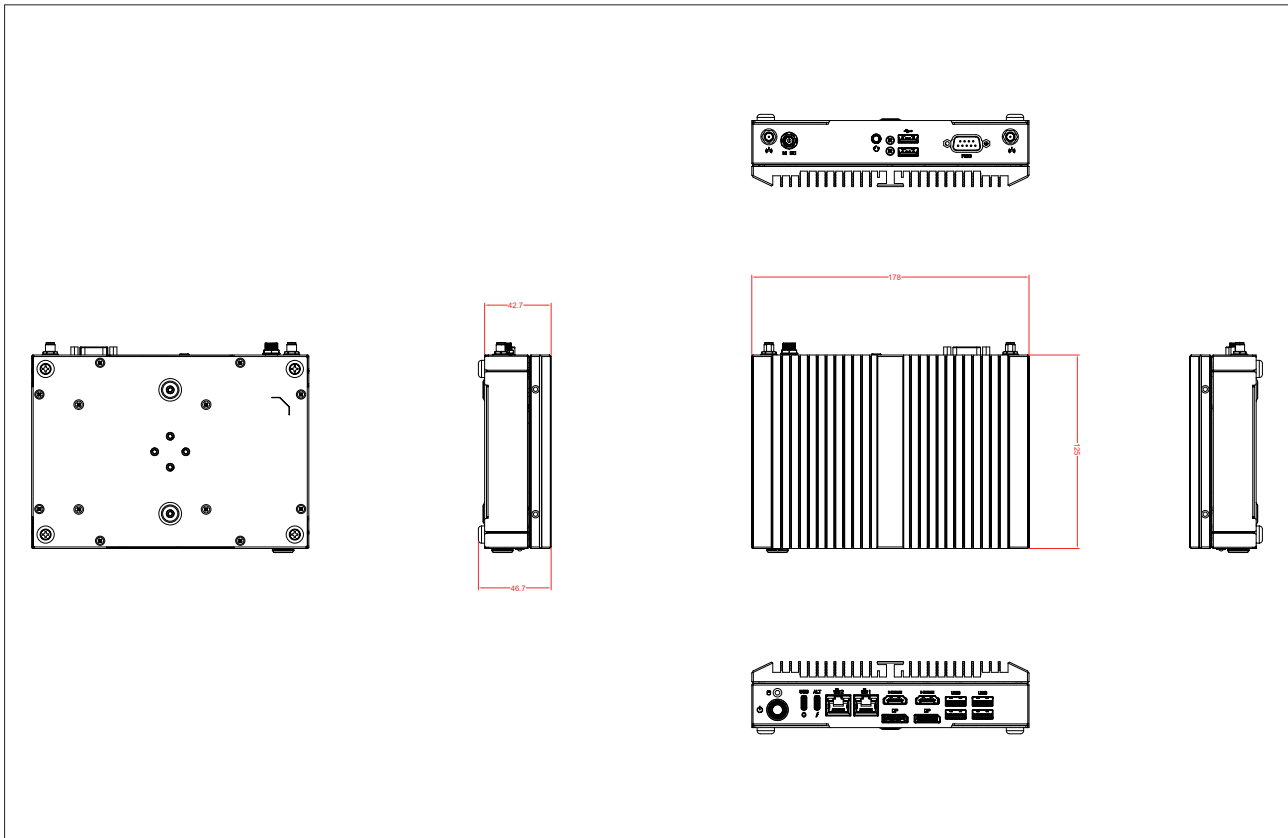
## Specifications

Dimension	178W x 125D x 42.7H(mm)
CPU	Intel® Core™ i5-1335U Processor Intel® 7, 10 cores, 2P+8E, 12 threads, up to 4.6 GHz
Chipset	SoC
Memory	2 x DDR5 SO-DIMM sockets, Max. Capacity 96 GB Support Dual Channel DDR5 5200 MHz memory modules
Ethernet	2 x 2.5GbE LAN Ports (Intel® I226LM & I226V)
Graphic Support	Integrated Graphics Processor - Intel® Iris® Xe Graphics eligible: 2 x HDMI 2.1 ports, supporting a maximum resolution of 4096x2160 @60Hz 2 x DP 1.4 ports, supporting a maximum resolution of 7680x4320 @30Hz 1 x DP 1.4 through USB type C (8k), supporting a maximum resolution of 7680x4320 @30Hz  (4 independent display outputs)
Audio	Realtek® ALC269
Expansion Slots	1 x 2280 M.2 M-Key (PCIe Gen4x4, SATA 6Gb/s) 1 x 2230 M.2 E-Key 1 x 3052/3042 M.2 B-Key with SIM slot (Support 5G only USB interface)

GIGAIPC reserves the right to modify or change technical data without prior notice.

## Dimension

Unit: mm



## Packing Content

- Carton size: 505 x 333 x 231 (mm)
- Packing Capacity: 5pcs
- Single Box size : 313 x 191 x 95 (mm)
- Including:
  - Bracket for Wall Mount x 2 : 25HB2-CGAA20-CHR
  - PSU ADP 19.5V 135W 100-240VAC x 1 : 25EP2-2135W0-F3S
  - Power Cord : Optional (by region)
  - Thermal Pad for Memory x 1 : 25ST3-200086-T5R

## Order Information

- System: 6BQL1335AMR-SI (Box packing)

2026/06/17

GIGAIPC reserves the right to modify or change technical data without prior notice.