



## Industrial SD Card 3IE4

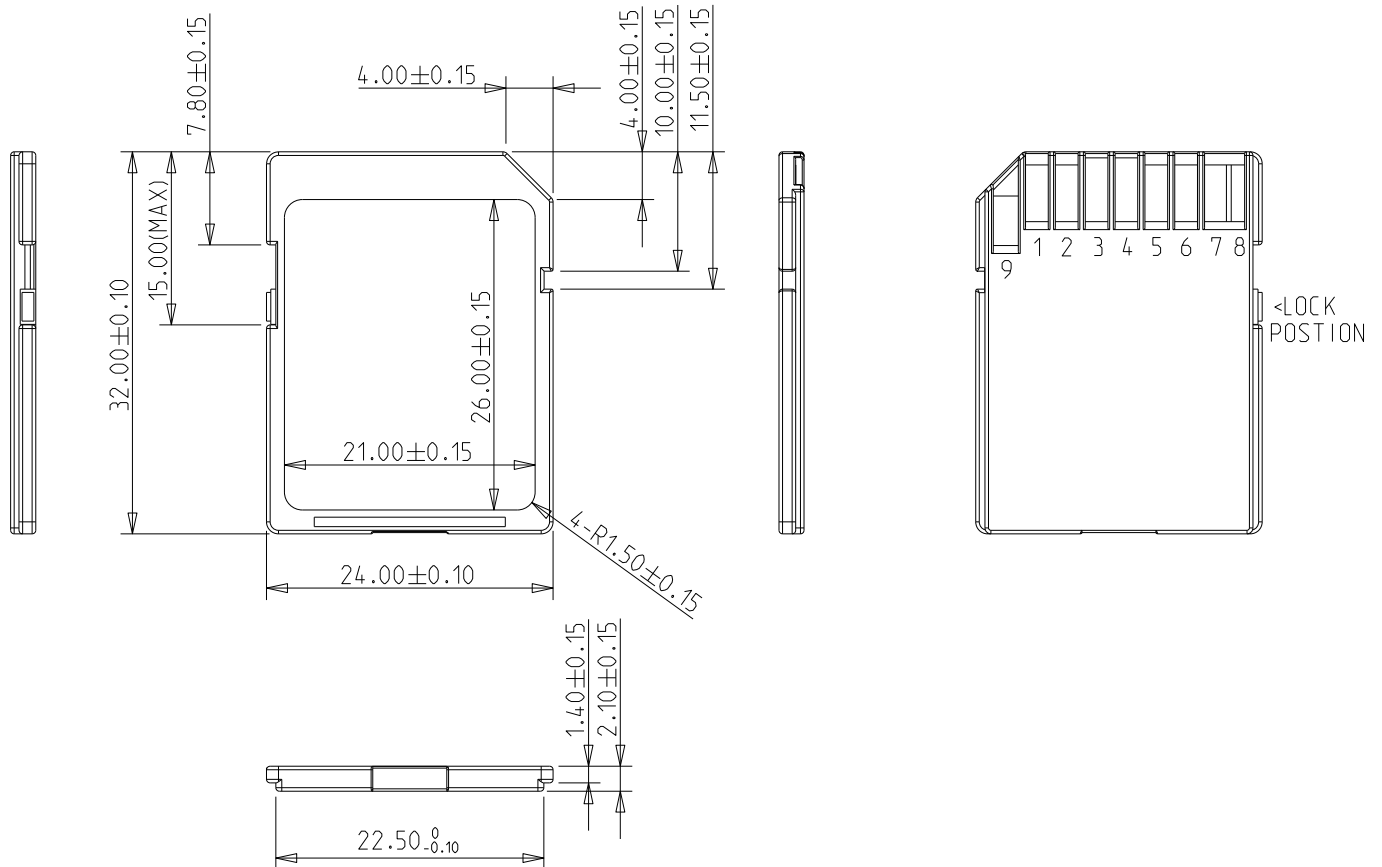
### HIGHLIGHT FEATURES

- Compliant with SD 6.1 / SD 3.0 interface
- Supports Class 10 with UHS-III
- Utilizes Ultra iSLC Technology
- High performance
- Power fail management
- LDPC ECC algorithm implement

### SPECIFICATIONS

<b>Model Name</b>	Industrial SD Card 3IE4
<b>Flash Type</b>	iSLC (3D TLC)
<b>Interface</b>	SD 6.1
<b>Form Factor</b>	SD Card
<b>Capacity</b>	16GB ~ 64GB
<b>Sequential R / W (MB/sec, max.)</b>	90 / 80
<b>P/E Cycle</b>	30,000 / 100,000
<b>TBW (Max.)</b>	5,680
<b>Storage Temperature</b>	-40°C ~ 85°C
<b>Max. Power Consumption</b>	0.5W
<b>Max. Channels</b>	1
<b>External DRAM Buffer</b>	N
<b>H/W Write Protect</b>	Y
<b>S.M.A.R.T.</b>	Y
<b>AES</b>	N
<b>TCG Opal</b>	N
<b>Dimension (W x L x H/mm)</b>	24.0 x 32.0 x 2.1
<b>Vibration</b>	20G@[7 ~ 2000Hz]
<b>Shock</b>	1500G@0.5ms
<b>MTBF</b>	>3 million hours
<b>Warranty</b>	5 Years

## DIAGRAM



## ORDER INFO.

Operating Temperature	Extended Grade (-25°C ~ 85°C)	Industrial Grade (-40°C ~ 85°C)
16GB	DHSDC-16GS06KE1SL	DHSDC-16GS06KW1SL
32GB	DHSDC-32GS06KE1SL	DHSDC-32GS06KW1SL
64GB	DHSDC-64GS06KE1SL	DHSDC-64GS06KW1SL

HQ (Taiwan) T +886-2-7703-3000 / E sales@innodisk.com

CN T +86-755-2167-3689 / E sales\_cn@innodisk.com

US T +1-510-770-9421 / E usasales@innodisk.com

EU T +31-40-3045-400 / E eusales@innodisk.com

JP T +81-3-6667-0161 / E jp\_sales@innodisk.com

**innodisk**