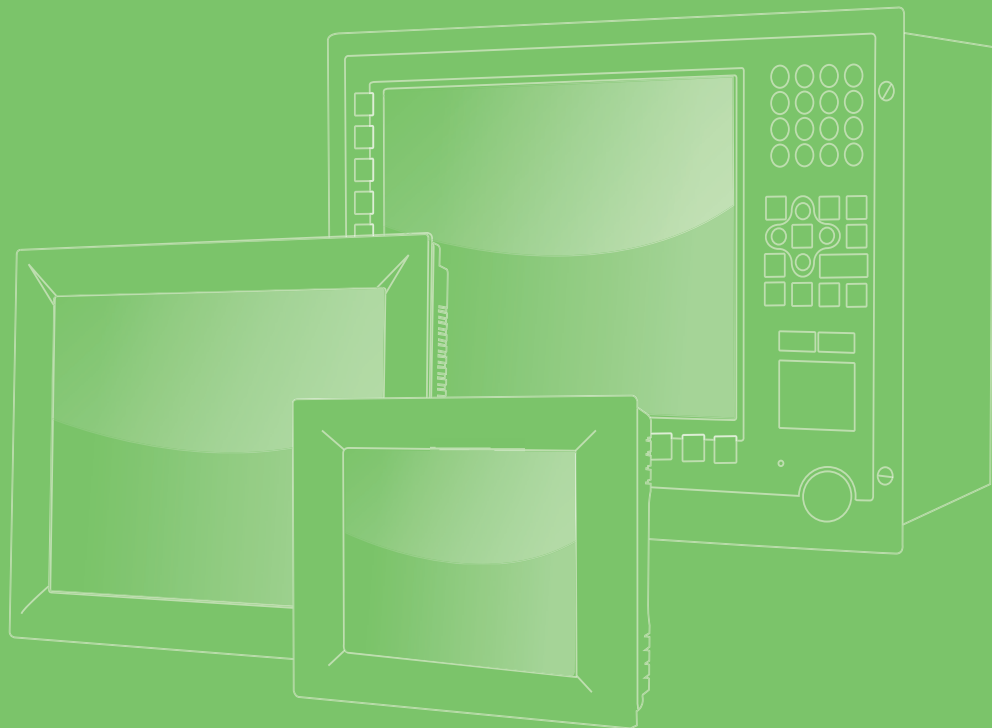


# User Manual



## FPM-200W Series

**15.6" or 21.5" Industrial LED  
Monitor with Capacitive  
Touchscreen and Direct HDMI or  
VGA Port**

### 顯示器

申請商：研華股份有限公司  
地址：台北市內湖區瑞光路 26 巷 20 弄 1 號  
電話：02-27927818

**ADVANTECH**

*Enabling an Intelligent Planet*

限用物質含有情況標示聲明書

Declaration of the Presence Condition of the Restricted Substances Marking

PLM MDR NO: MDR-007701

設備名稱：顯示器 Equipment name		型號（型式）：FPM-215W Type designation (Type)				
單元 Unit	限用物質及其化學符號 Restricted substances and its chemical symbols					
	鉛 Lead (Pb)	汞 Mercury (Hg)	鎘 Cadmium (Cd)	六價鉻 Hexavalent chromium (Cr <sup>+6</sup> )	多溴聯苯 Polybrominated biphenyls (PBB)	多溴二苯醚 Polybrominated diphenyl ethers (PBDE)
電路板	—	○	○	○	○	○
觸控面板	—	○	○	○	○	○
內外殼 (外殼、內 部框架… 等)	○	○	○	○	○	○
其它固定 組件 (螺絲、夾 具、卡榫)	—	○	○	○	○	○
配件 (排線、傳 輸線、網 路線…等 )	—	○	○	○	○	○
電源供應 器	—	○	○	○	○	○
<p>備考 1. “超出 0.1 wt %” 及 “超出 0.01 wt %” 係指限用物質之百分比含量超出百分比含量基準值。 Note 1. “Exceeding 0.1 wt %” and “exceeding 0.01 wt %” indicate that the percentage content of the restricted substance exceeds the reference percentage value of presence condition.</p> <p>備考 2. “○” 係指該項限用物質之百分比含量未超出百分比含量基準值。 Note 2. “○” indicates that the percentage content of the restricted substance does not exceed the percentage of reference value of presence.</p> <p>備考 3. “—” 係指該項限用物質為排除項目。 Note 3. The “-” indicates that the restricted substance corresponds to the exemption.</p>						

限用物質含有情況標示聲明書

Declaration of the Presence Condition of the Restricted Substances Marking

PLM MDR NO: MDR-003688

設備名稱：顯示器 Equipment name		型號（型式）：FPM-221W Type designation (Type)				
單元 Unit	限用物質及其化學符號 Restricted substances and its chemical symbols					
	鉛 Lead (Pb)	汞 Mercury (Hg)	鎘 Cadmium (Cd)	六價鉻 Hexavalent chromium (Cr <sup>+6</sup> )	多溴聯苯 Polybrominated biphenyls (PBB)	多溴二苯醚 Polybrominated diphenyl ethers (PBDE)
電路板	—	○	○	○	○	○
內外殼	○	○	○	○	○	○
線材	—	○	○	○	○	○
其它固定 組件（螺 絲、螺柱）	—	○	○	○	○	○
電源 供應器	—	○	○	○	○	○
分離式電 源線組	○	○	○	○	○	○
觸控模組	—	○	○	○	○	○
液晶面板	—	○	○	○	○	○
<p>備考 1. “超出 0.1 wt %” 及 “超出 0.01 wt %” 係指限用物質之百分比含量超出百分比含量基準值。                      Note 1. “Exceeding 0.1 wt %” and “exceeding 0.01 wt %” indicate that the percentage content of the restricted substance exceeds the reference percentage value of presence condition.</p> <p>備考 2. “○” 係指該項限用物質之百分比含量未超出百分比含量基準值。                      Note 2. “○” indicates that the percentage content of the restricted substance does not exceed the percentage of reference value of presence.</p> <p>備考 3. “—” 係指該項限用物質為排除項目。                      Note 3. The “-” indicates that the restricted substance corresponds to the exemption.</p>						

---

## Copyright

The documentation and the software included with this product are copyrighted 2025 by Advantech Co., Ltd. All rights are reserved. Advantech Co., Ltd. reserves the right to make improvements in the products described in this manual at any time without notice. No part of this manual may be reproduced, copied, translated, or transmitted in any form or by any means without the prior written permission of Advantech Co., Ltd. The information provided in this manual is intended to be accurate and reliable. However, Advantech Co., Ltd. assumes no responsibility for its use, nor for any infringements of the rights of third parties that may result from its use.

## Acknowledgment

Intel and Pentium are trademarks of Intel Corporation.

Microsoft Windows® are registered trademarks of Microsoft Corp.

All other product names or trademarks are properties of their respective owners.

This manual includes the following products:

### **FPM-215W**

#### **FPM-215W-P4AE**

FPM215WP4A2101-T;FPM215WP4A2102-T;FPM215WP4A2201-T;  
FPM215WP4A2501-T;FPM215WP4A2502-T;FPM215WP4A2503-T  
FPM215WP4A2504-T;FPM215WP4A2505-T;FPM215WP4A2506-T

#### **FPM-215W-P4BE**

FPM215WP4B2501-T;FPM215WP4B2502-T;FPM215WP4B2503-T;  
FPM215WP4B2504-T; FPM215WP4B2505-T; FPM215WP4B2506-T;  
FPM215WP4B2601-T; FPM215WP4B2602-T; FPM215WP4B2603-T;  
FPM215WP4B2604-T; FPM215WP4B2605-T; FPM215WP4B2606-T;  
FPM215WP4B2701-T; FPM215WP4B2702-T; FPM215WP4B2703-T;  
FPM215WP4B2704-T; FPM215WP4B2705-T; FPM215WP4B2706-T;  
FPM215WP4B2801-T; FPM215WP4B2802-T; FPM215WP4B2803-T;  
FPM215WP4B2804-T; FPM215WP4B2805-T; FPM215WP4B2806-T;  
FPM215WP4B2901-T; FPM215WP4B2902-T; FPM215WP4B2903-T;  
FPM215WP4B2904-T; FPM215WP4B2905-T; FPM215WP4B2906-T;  
FPM215WP4B3001-T; FPM215WP4B3002-T; FPM215WP4B3003-T;  
FPM215WP4B3004-T; FPM215WP4B3005-T; FPM215WP4B3006-T;  
FPM215WP4B3101-T; FPM215WP4B3102-T; FPM215WP4B3103-T;  
FPM215WP4B3104-T; FPM215WP4B3105-T; FPM215WP4B3106-T

#### **FPM-215W-P4BU**

FPM215WP4BU2501-T;FPM215WP4BU2502-T; FPM215WP4BU2503-T;  
FPM215WP4BU2504-T; FPM215WP4BU2505-T; FPM215WP4BU2506-T;  
FPM215WP4BU2601-T; FPM215WP4BU2602-T; FPM215WP4BU2603-T;  
FPM215WP4BU2604-T; FPM215WP4BU2605-T; FPM215WP4BU2606-T;  
FPM215WP4BU2701-T; FPM215WP4BU2702-T; FPM215WP4BU2703-T;  
FPM215WP4BU2704-T; FPM215WP4BU2705-T; FPM215WP4BU2706-T;

FPM215WP4BU2801-T; FPM215WP4BU2802-T; FPM215WP4BU2803-T;  
FPM215WP4BU2804-T; FPM215WP4BU2805-T; FPM215WP4BU2806-T;  
FPM215WP4BU2901-T; FPM215WP4BU2902-T; FPM215WP4BU2903-T;  
FPM215WP4BU2904-T; FPM215WP4BU2905-T; FPM215WP4BU2906-T;  
FPM215WP4BU3001-T; FPM215WP4BU3002-T; FPM215WP4BU3003-T;  
FPM215WP4BU3004-T; FPM215WP4BU3005-T; FPM215WP4BU3006-T;  
FPM215WP4BU3101-T; FPM215WP4BU3102-T; FPM215WP4BU3103-T;  
FPM215WP4BU3104-T; FPM215WP4BU3105-T; FPM215WP4BU3106-T

## **FPM-221W**

### **FPM-221W-P4AE**

FPM221WP4A2301-T;FPM221WP4A2401-T;FPM221WP4A2501-T;  
FPM221WP4A2502-T; FPM221WP4A2503-T;FPM221WP4A2504-T;  
FPM221WP4A2505-T; FPM221WP4A2506-T;FPM221WP4A2601-T;  
FPM221WP4A2602-T; FPM221WP4A2603-T;FPM221WP4A2604-T;  
FPM221WP4A2605-T; FPM221WP4A2606-T;FPM221WP4A2701-T;  
FPM221WP4A2702-T; FPM221WP4A2703-T;FPM221WP4A2704-T;  
FPM221WP4A2705-T; FPM221WP4A2706-T;FPM221WP4A2801-T;  
FPM221WP4A2802-T; FPM221WP4A2803-T;FPM221WP4A2804-T;  
FPM221WP4A2805-T; FPM221WP4A2806-T;FPM221WP4A2901-T;  
FPM221WP4A2902-T; FPM221WP4A2903-T;FPM221WP4A2904-T;  
FPM221WP4A2905-T; FPM221WP4A2906-T;FPM221WP4A3001-T;  
FPM221WP4A3002-T; FPM221WP4A3003-T;FPM221WP4A3004-T;  
FPM221WP4A3005-T; FPM221WP4A3006-T;FPM221WP4A3101-T;  
FPM221WP4A3102-T; FPM221WP4A3103-T;FPM221WP4A3104-T;  
FPM221WP4A3105-T; FPM221WP4A3106-T

### **FPM-221W-P4AU**

FPM221WP4AU2501-T;FPM221WP4AU2502-T; FPM221WP4AU2503-T;  
FPM221WP4AU2504-T; FPM221WP4AU2505-T;FPM221WP4AU2506-T;  
FPM221WP4AU2601-T;FPM221WP4AU2602-T; FPM221WP4AU2603-T;  
FPM221WP4AU2604-T; FPM221WP4AU2605-T;FPM221WP4AU2606-T;  
FPM221WP4AU2701-T;FPM221WP4AU2702-T; FPM221WP4AU2703-T;  
FPM221WP4AU2704-T; FPM221WP4AU2705-T;FPM221WP4AU2706-T;  
FPM221WP4AU2801-T;FPM221WP4AU2802-T; FPM221WP4AU2803-T;  
FPM221WP4AU2804-T; FPM221WP4AU2805-T;FPM221WP4AU2806-T;  
FPM221WP4AU2901-T;FPM221WP4AU2902-T; FPM221WP4AU2903-T;  
FPM221WP4AU2904-T; FPM221WP4AU2905-T;FPM221WP4AU2906-T;  
FPM221WP4AU3001-T;FPM221WP4AU3002-T; FPM221WP4AU3003-T;  
FPM221WP4AU3004-T; FPM221WP4AU3005-T;FPM221WP4AU3006-T;  
FPM221WP4AU3101-T;FPM221WP4AU3102-T; FPM221WP4AU3103-T;  
FPM221WP4AU3104-T; FPM221WP4AU3105-T; FPM221WP4AU3106-T

---

## Product Warranty (2 years)

Advantech warrants the original purchaser that each of its products will be free from defects in materials and workmanship for two years from the date of purchase.

This warranty does not apply to any products that have been repaired or altered by persons other than repair personnel authorized by Advantech, or products that have been subject to misuse, abuse, accident, or improper installation. Advantech assumes no liability under the terms of this warranty as a consequence of such events.

Because of Advantech's high quality-control standards and rigorous testing, most customers never need to use our repair service. If an Advantech product is defective, it will be repaired or replaced free of charge during the warranty period. For out-of-warranty repairs, customers will be billed according to the cost of replacement materials, service time, and freight. Please consult your dealer for more details.

If you believe your product to be defective, follow the steps outlined below.

1. Collect all the information about the problem encountered. (For example, CPU speed, Advantech products used, other hardware and software used, etc.) Note anything abnormal and list any onscreen messages displayed when the problem occurs.
2. Call your dealer and describe the problem. Please have your manual, product, and any helpful information readily available.
3. If your product is diagnosed as defective, obtain a return merchandise authorization (RMA) number from your dealer. This allows us to process your return more quickly.
4. Carefully pack the defective product, a completed Repair and Replacement Order Card, and a proof of purchase date (such as a photocopy of your sales receipt) into a shippable container. Products returned without a proof of purchase date are not eligible for warranty service.
5. Write the RMA number clearly on the outside of the package and ship the package prepaid to your dealer.

## Declaration of Conformity

### FCC Class A

This equipment has been tested and found to comply with the limits for a Class A digital device, pursuant to part 15 of the FCC Rules. These limits are designed to provide reasonable protection against harmful interference when the equipment is operated in a commercial environment. This equipment generates, uses, and can radiate radio frequency energy and, if not installed and used in accordance with the instruction manual, may cause harmful interference to radio communications. Operation of this equipment in a residential area is likely to cause harmful interference. In this event, users are required to correct the interference at their own expense.

## Technical Support and Assistance

1. Visit the Advantech website at [www.advantech.com/support](http://www.advantech.com/support) to obtain the latest product information.
2. Contact your distributor, sales representative, or Advantech's customer service center for technical support if you need additional assistance. Please have the following information ready before calling:
  - Product name and serial number
  - Description of your peripheral attachments
  - Description of your software (operating system, version, application software, etc.)
  - A complete description of the problem
  - The exact wording of any error messages

## Safety Instructions

1. Read these safety instructions carefully.
2. Retain this user manual for future reference.
3. Disconnect the equipment from all power outlets before cleaning. Use only a damp cloth for cleaning. Do not use liquid or spray detergents.
4. For pluggable equipment, the power outlet socket must be located near the equipment and easily accessible.
5. Protect the equipment from humidity.
6. Place the equipment on a reliable surface during installation. Dropping or letting the equipment fall may cause damage.
7. The openings on the enclosure are for air convection. Protect the equipment from overheating. Do not cover the openings.
8. Ensure that the voltage of the power source is correct before connecting the equipment to a power outlet.
9. Position the power cord away from high-traffic areas. Do not place anything over the power cord.
10. All cautions and warnings on the equipment should be noted.
11. If the equipment is not used for a long time, disconnect it from the power source to avoid damage from transient overvoltage.
12. Never pour liquid into an opening. This may cause fire or electrical shock.
13. Never open the equipment. For safety reasons, the equipment should be opened only by qualified service personnel.
14. If any of the following occurs, have the equipment checked by service personnel:
  - The power cord or plug is damaged.
  - Liquid has penetrated the equipment.
  - The equipment has been exposed to moisture.
  - The equipment is malfunctioning, or does not operate according to the user manual.
  - The equipment has been dropped and damaged.
  - The equipment shows obvious signs of breakage.
15. Do not leave the equipment in an environment with a storage temperature of below 0°C (32°F) or above 50°C (122°F) as this may damage the components. The equipment should be kept in a controlled environment.
16. In accordance with IEC 704-1:1982 specifications, the sound pressure level at the operator's position does not exceed 70 dB (A).

DISCLAIMER: These instructions are provided according to IEC 704-1 standards. Advantech disclaims all responsibility for the accuracy of any statements contained herein.

**Note!**



*This product is intended to be supplied by an UL certified power supply or DC source suitable for use at minimum Tma 50 degree°C whose output meets SELV or ES1, LPS or PS2 and is rated 12Vdc, 5A, if need further assistance, please contact Advantech for further information.*

**Warning!**



*If the customer user DC power by oneself for this product may cause the radio interference in which case, the customer must be to take adequate measures.*

**Warning!**



*If the customer needs to use power adapter, please use the power adapter listed on the product datasheet. If the customer use the power adapter not listed on the product datasheet, it may cause the radio interference in which case, the customer must be to take adequate measures.*

**Warning!**



*Avoid exposing FPM-200W to direct sunlight for long periods of time. Direct sunlight falling onto a LCD screen can cause it to become very hot and physically damage the LCD as the components are not designed to tolerate high heat, shortening the life of the LCD.*

**Warning!**



*The wire of the protective bonding conductor shall be green-and-yellow, 20AWG/0.5 (mm<sup>2</sup>).*

## Consignes de Sécurité

1. Lire attentivement les instructions de sécurité.
2. Conserver ce manuel pour utilisation ultérieure.
3. Débranchez cet équipement de toute prise secteur avant de le nettoyer. Utilisez seulement un chiffon humide. N'utilisez pas de détergent liquide ou pulvérisé pour le nettoyage.
4. Gardez cet équipement à l'abri de l'humidité.
5. Placez cet équipement sur une surface fiable pendant l'installation. Le faire ou bien le laisser tomber peut causer des dégâts.
6. Les ouvertures sur l'enceinte servent à la convection de l'air. Protégez l'équipement contre la surchauffe. **NE COUVREZ PAS LES OUVERTURES.**
7. Assurez-vous que la tension de la source d'alimentation est correcte avant de connecter l'équipement à l'alimentation.
8. Placez le câble d'alimentation de manière à ce que personne ne puisse marcher dessus. Ne placez rien sur le câble d'alimentation.
9. Toutes les mises en garde et tous les avertissements sur l'équipement doivent être notés.
10. Si l'équipement n'est pas utilisé pendant une longue période, débranchez-le de la source d'alimentation pour éviter tout endommagement dû à une surtension transitoire.
11. Ne jamais verser de liquide dans une ouverture. Cela pourrait provoquer un incendie ou un choc électrique.
12. N'ouvrez jamais l'équipement. Pour des raisons de sécurité, l'équipement doit être ouvert uniquement par du personnel qualifié.
13. Si l'une des situations suivantes se présente, faites vérifier l'équipement par le personnel de service:
  - Un liquide a pénétré dans l'équipement.
  - L'équipement a été exposé à l'humidité.
  - L'équipement ne fonctionne pas bien, ou vous ne pouvez pas le faire fonctionner selon le manuel de l'utilisateur.
  - L'équipement est tombé et endommagé.
  - L'équipement présente des signes évidents de rupture.
14. **NE LAISSEZ PAS CET ÉQUIPEMENT DANS UN ENVIRONNEMENT OU LA TEMPÉRATURE DE STOCKAGE PEUT ÊTRE INFÉRIEURE À 0 ° C (32 ° F) OU BIEN SUPÉRIEURE À 50 ° C (122 ° F). CECI POURRAIT ENDOMMAGER L'EQUIPEMENT. L'ÉQUIPEMENT DEVRAIT ÊTRE DANS UN ENVIRONNEMENT CONTRÔLÉ.**
15. **ATTENTION: DANGER D'EXPLOSION SI LA BATTERIE EST INCORRECTEMENT REMPLACÉE. REMPLACER SEULEMENT AVEC LE MÊME TYPE OU ÉQUIVALENT RECOMMANDÉ PAR LE FABRICANT, JETER LES BATTERIES USÉES SELON LES INSTRUCTIONS DU FABRICANT. VEUILLEZ CONTACTER LE FABRICANT, ADVANTECH, POUR LE REMPLACER.**
16. Le personnel concerné doit savoir qu'il ne faut pas heurter la section d'angle de l'appareil afin d'éviter tout risque de blessure.

**Remarque!** Ce produit est destiné à être alimenté par une source d'alimentation certifiée UL ou par une source de courant continu adaptée à une utilisation à une température minimale de 50 degrés Celsius (T<sub>ma</sub> 50° C) et dont la sortie est conforme à la norme SELV ou ES1, LPS ou PS2 et à une tension nominale de 12Vcc, 5A assistance, veuillez contacter Advantech pour plus d'informations.



**Attention!** Si l'utilisateur client utilise exclusivement l'alimentation en courant continu pour ce produit, il peut provoquer des interférences radio, auquel cas, le client doit prendre les mesures appropriées.



**Attention!** Si le client doit utiliser un adaptateur secteur, veuillez utiliser l'adaptateur secteur figurant sur la fiche technique du produit. Si le client utilise un adaptateur secteur non répertorié dans la fiche technique du produit, il peut provoquer des interférences radio, auquel cas il doit prendre les mesures appropriées.



**Attention!** Évitez d'exposer le FPM-200W à la lumière directe du soleil pendant de longues périodes. Les rayons directs du soleil sur un écran LCD peuvent devenir très chauds et endommager physiquement l'écran car les composants ne sont pas conçus pour tolérer une chaleur intense, ce qui raccourcit la durée de vie de l'écran.



**Attention!** MISE EN GARDE: le fil du conducteur de protection doit être vert et jaune, 20 AWG / 0,5 (mm<sup>2</sup>)



## 安全指示

1. 請仔細閱讀此安全操作說明。
2. 請妥善保存此用戶手冊供日後參考。
3. 用濕抹布清洗設備前，請確認拔除電源線。請勿使用液體或去污噴霧劑清洗設備。
4. 對於使用電源線的設備，設備周圍必須有容易接觸到的電源插座。
5. 請勿在潮濕環境中試用設備。
6. 請在安裝前確保設備放置在可靠的平面上，意外摔落可能會導致設備損壞。
7. 設備機殼的開孔適用於空氣對，從而防止設備過熱。請勿覆蓋開孔。
8. 當您連接設備到電源插座前，請確認電源插座的電壓符合要求。
9. 請將電源線佈置在人們不易絆倒的位置，請勿在電源線上覆蓋任何雜物。
10. 請注意設備上所有的警告標示。
11. 如果長時間不使用設備，請拔除與電源插座的連結，避免設備被超標的電壓波動損壞。
12. 請勿讓任何液體流入通風口，以免引起火災或短路。
13. 請勿自行打開設備。為了確保您的安全，請透過經認證的工程師來打開設備。
14. 如遇下列情況，請由專業人員維修：
15. 電源線或插頭損壞；
16. 設備內部有液體流入；
17. 設備曾暴露在過度潮濕環境中使用；
18. 設備無法正常工作，或您無法透過用戶手冊來正常工作；
19. 設備摔落或損壞；
20. 設備有明顯外觀損；
21. 請勿將設備放置在超出建議溫度範圍的環境，即不要低於  $-0^{\circ}\text{C}$  ( $32^{\circ}\text{F}$ ) 或高於  $50^{\circ}\text{C}$  ( $122^{\circ}\text{F}$ )，否則可能會造成設備損壞。
22. 注意：若電池更換不正確，將有爆炸危險。因此，只可以使用製造商推薦的同一種或者同等型號的電池進行替換。請按照製造商的指示處理舊電池。
23. 根據 IEC 704-1:1982 規定，操作員所在位置音量不可高於70分貝。
24. 限制區域：請勿將設備安裝於限制區域使用。
25. 免責聲明：請安全訓示符合IEC 704-1要求。研華公司對其內容之準確性不承擔任何法律責任。

### 注！



本產品應由 UL 認證的電源或直流電源供電，適用於最低  $T_{\text{ma}} 50^{\circ}\text{C}$ ，其輸出符合 SELV 或 ESI, LPS 或 PS2，額定電壓為 12Vdc, 5A，如需幫助，請聯繫研華了解更多信息。

### 警告使用者：

1. 使用過度恐傷害視力。
2. 使用 30 分鐘請休息 10 分鐘。
3. 未滿 2 歲幼兒不看螢幕，2 歲以上每天看螢幕不要超過 1 小時。
4. 這是甲類資訊產品，在居住的環境中使用時，可能會造成射頻干擾，在這種情況下，使用者會被要求採取某些適當對策。

### 警告！



如果客戶自行為本產品用戶直流電源可能會造成無線電干擾，在這種情況下，客戶必須採取適當的措施。

**警告!**



如果客戶需要使用電源適配器，請使用產品數據表中列出的電源適配器。如果客戶使用產品數據表中未列出的電源適配器，可能會造成無線電干擾，在這種情況下，客戶必須採取適當的措施。

**警告!**



請避免將 FPM-200W 長時間暴露在直射陽光下。直射陽光照射到 LCD 屏幕上會導致 LCD 變得非常熱並對 LCD 造成物理損壞，因為這些組件的設計不能承受高溫，從而縮短了 LCD 的使用壽命。

# Contents

<b>Chapter 1</b>	<b>General Information .....</b>	<b>1</b>
1.1	Introduction .....	2
1.2	Specifications .....	2
1.2.1	General .....	2
	Table 1.1: General .....	2
1.2.2	Touchscreen .....	2
	Table 1.2: Touchscreen .....	2
1.3	LCD Specification .....	2
	Table 1.3: LCD Specification .....	2
1.4	Connectors .....	3
1.5	Dimensions .....	4
1.5.1	15.6" Models .....	4
1.5.2	21.5" Models .....	5
<b>Chapter 2</b>	<b>Mounting Methods .....</b>	<b>7</b>
2.1	Mounting the Monitor / Monter le Moniteur .....	8
2.1.1	Panel Mounting / Montage Sur Panneau .....	8
2.1.2	VESA Mounting / Montage VESA .....	10
2.1.3	Power Adapter Bracket Mounting (Optional) .....	11
<b>Appendix A</b>	<b>Touchscreen .....</b>	<b>13</b>
A.1	Introduction .....	14
A.2	Touchscreen Specifications (15.6"/21.5") .....	14
A.2.1	Typical Optical Features .....	14
	Table A.1: Typical Optical Features .....	14
A.2.2	Electrical Specifications .....	14
	Table A.2: Electrical Specifications .....	14
A.2.3	Environment Specifications .....	14
	Table A.3: Environment Specifications .....	14
A.3	Installing Driver for Windows OS .....	14



# Chapter 1

## General Information

Sections include:

- Introduction
- Specifications
- LCD Specification
- Connectors
- Dimensions

## 1.1 Introduction

In IIoT and Industry 4.0, more and more customers need data to be visualized to help process management and decision making. FPM-200W series is an industrial-grade, widescreen monitor with sleek, simple lines and a true-flat touchscreen. Equipped with P-CAP 10-point multi-touch control and an IP66-rated front bezel, FPM-200W series is designed for intuitive operation in industrial environments such as smart factory and machine automation display applications.

## 1.2 Specifications

### 1.2.1 General

**Table 1.1: General**

<b>Specifications</b>	FPM-200W series
<b>Construction</b>	Die-cast aluminum
<b>Front Panel</b>	Die-cast aluminum - IP66
<b>Video Port</b>	HDMI
<b>Mounting Panel</b>	Panel, VESA arm
<b>FPM-215W Dimensions</b>	(W x H x D) 419.7 mm x 269 mm x 56.2 mm (16.52" x 10.59" x 2.21")
<b>FPM-221W Dimensions</b>	(W x H x D) 550.30 x 341.8 mm x 56.2 mm (21.67" x 13.46" x 2.21")

### 1.2.2 Touchscreen

**Table 1.2: Touchscreen**

<b>Specifications</b>	FPM-200W series
<b>Type</b>	10 points multi touch, projected capacitive
<b>Resolution</b>	1366 x 768 (15.6") / 1920 x 1080 (21.5")
<b>Light Transmission</b>	> 88%
<b>Controller</b>	USB

## 1.3 LCD Specification

**Table 1.3: LCD Specification**

	<b>FPM-215W-P4AE</b>	<b>FPM-215W-P4BE</b>	<b>FPM-221W-P4AE</b>
<b>Specifications</b>	15" LCD (LED Backlight)	15" LCD (LED Backlight)	21" LCD (LED Backlight)
<b>Display Type</b>	W XGA TFT LC	Full HD TFT LCD	Full HD TFT LCD
<b>Display Size</b>	15.6"	15.6"	21.5"
<b>Max. Colors</b>	16.7M Max	16.7M Max	16.7M Max

**Table 1.3: LCD Specification**

<b>Resolution</b>	1366 x 768	1920 x 1080	1920 x 1080
<b>View Angle (H/V°)</b>	160°(V), 160°(H)	160°(V), 160°(H)	178°(V), 178°(H)
<b>Luminance</b>	300 cd/m <sup>2</sup>	350 cd/m <sup>2</sup>	250 cd/m <sup>2</sup>
<b>Storage Temperature</b>	-20 ~ 60°C	-20 ~ 60°C	-20 ~ 60°C

## 1.4 Connectors

The following connectors are situated on the bottom side of the FPM-200W series:

- **HDMI**  
HDMI connector can be connected directly into the system via HDMI connector located on the bottom side of the system unit.
- **VGA Port (DB-15)**  
DB-15 connector can be connected to the system via the external 15-pin DB-15 connector located on the bottom side of the system unit.
- **Touchscreen Connector (USB)**  
This connector will be present only if a touchscreen is installed and it must be connected to the USB port of the PC. The touchscreen cable is included with all orders.
- **DC 12 V Power Input Connector**  
This connector must be connected to DC 12 V power supply.

**Warning!** Please note before connecting the monitor and PC with HDMI or VGA cable:



1. If PC has installed operating system, please confirm its portrait frequency is within the acceptable range.
2. If PC has installed operating system, users need to adjust the portrait frequency to be within the acceptable range.

# 1.5 Dimensions

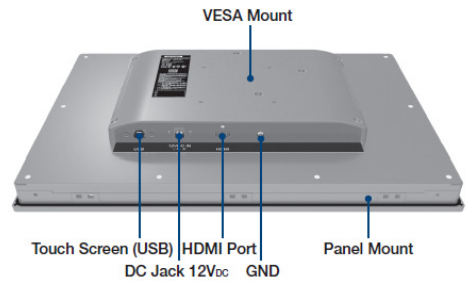
## 1.5.1 15.6" Models

### FPM-215W Dimensions (HDMI)

#### Front View

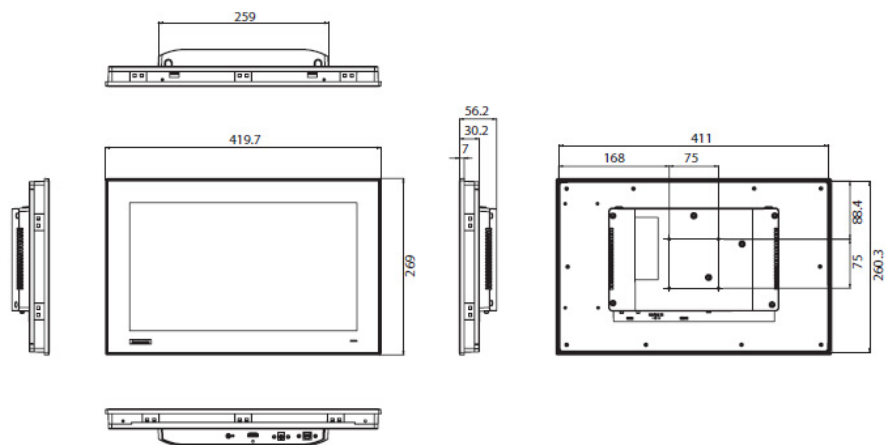


#### Rear View



#### Dimensions

Unit: mm



Cut-out Dimensions: 412 x 261.3 mm (16.22 x 10.28 in)

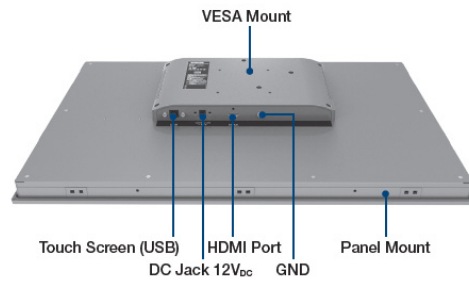
## 1.5.2 21.5" Models

### FPM-221W-P4AE Dimensions (HDMI)

Front View

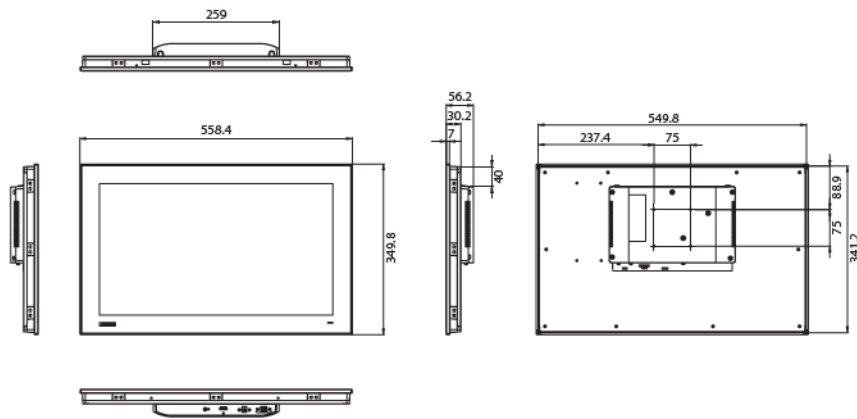


Rear View



### Dimensions

Unit: mm



Cut-out Dimensions: 550.8 x 342.2 mm (21.68 x 13.47 in)



# Chapter 2

## Mounting Methods

Sections include:

- Wall Mounting
- Panel Mounting
- Desktop Stand Mounting

## 2.1 Mounting the Monitor / Monter le Moniteur

The FPM-200W series can be mounted in many different ways. The versatility of the FPM-200W enables it to be mounted on your desk or anywhere else.

*La série FPM-200W peut être montée de différentes manières. La polyvalence du FPM-200W lui permet d'être monté sur votre bureau ou ailleurs.*

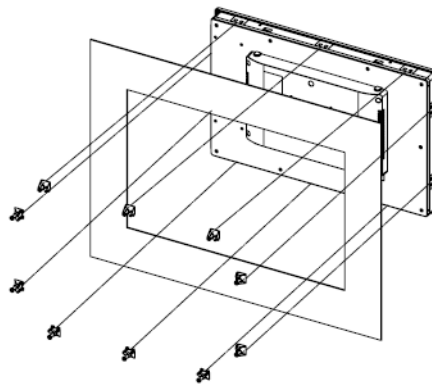
### 2.1.1 Panel Mounting / Montage Sur Panneau

If you need to install the FPM-200W series in a panel, release the mounting brackets by detaching 4 screws on rear side and fix them on the top and bottom with screws.

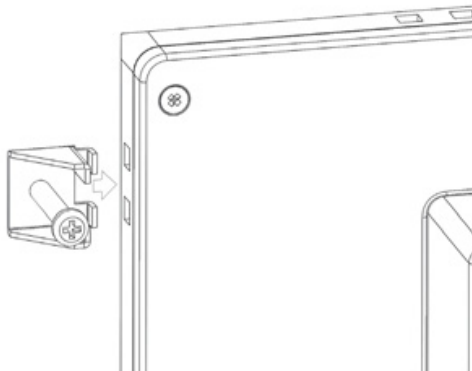
To implement the panel mount completely, it requires 10 claspers with M6 \* 21mm screws.

*Si vous devez installer la série FPM-200W dans un panneau, libérez les supports de fixation en détachant 4 vis situées à l'arrière et fixez-les en haut et en bas à l'aide de vis. Pour réaliser complètement le montage sur panneau, il faut 10 pinces avec M6 \* 21mm des vis.*

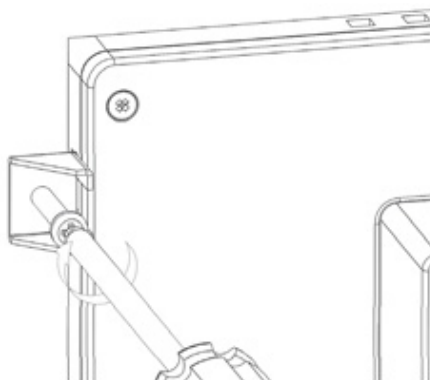
1. Position FPM-200W against the panel.  
*Positionnez le FPM-200W contre le panneau.*



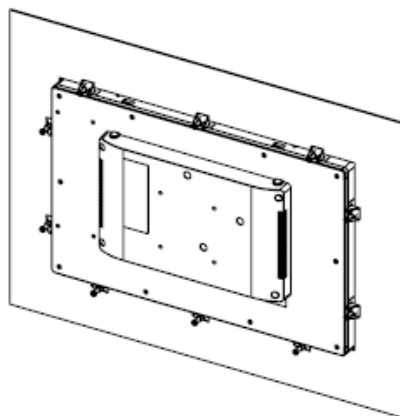
2. Insert the clamps into the sides of FPM-200W.  
*Insérez les pinces dans les côtés du FPM-200W.*



- Secure the clamp to the panel using the included screws.  
*Fixez la pince au panneau à l'aide des vis fournies.*



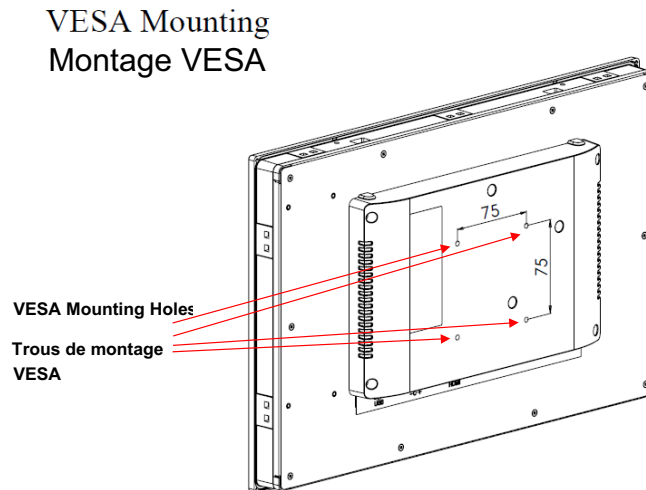
- Panel mount installation complete.  
*Installation du panneau terminée.*



## 2.1.2 VESA Mounting / Montage VESA

If VESA mounting is preferred, FPM-200W is a VESA MIS-D, 100/75, C compliant display equipped with 75 x 75 mm square hole pattern, use M4 screws for attachment of the mount to the FPM-200W.

*Si le montage VESA est préférable, le FPM-200W est un écran conforme à la norme VESA MIS-D, 100/75, équipé de perforations carrées de 75 x 75 mm. Utilisez des vis M4 pour fixer le support au FPM-200W.*



**Warning!** Use suitable mounting apparatus to avoid risk of injury.



**Remarque!** Utiliser un appareil de montage approprié pour éviter tout risque de blessure.



**Warning!** VESA screw mounting specifications: M4. Depth of the screw hole: 6 mm (Max.).



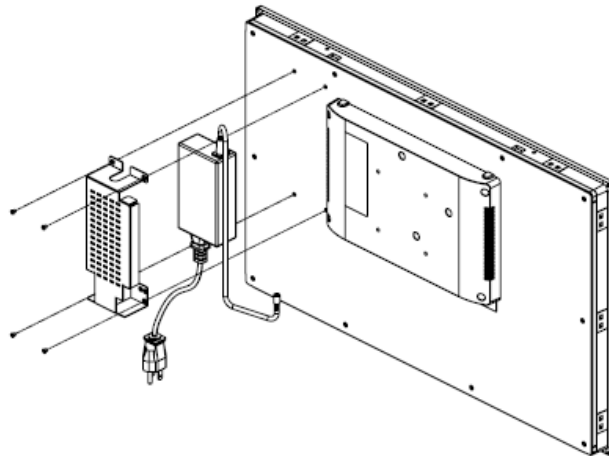
**Remarque!** Spécifications de montage de la vis VESA: M4. Profondeur du trou de vis: 6 mm (max.).



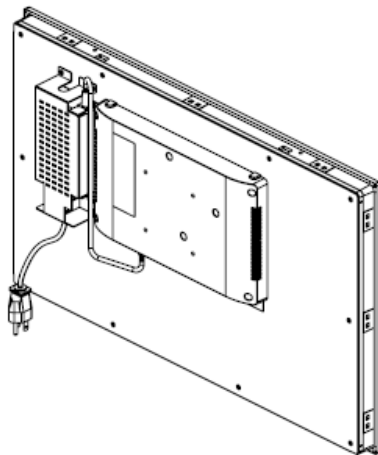
### 2.1.3 Power Adapter Bracket Mounting (Optional)

To secure and avoid power adaptor from hanging, a metal bracket is offered as an optional accessory for FPM-200W. This metal bracket can be mounted on the back of the monitor in 2 simple steps:

1. Place the metal bracket on top of the power adapter and position it against the dedicated holes.



2. Secure the metal bracket with the included screws and metal bracket installation is complete.





# Appendix **A**

Touchscreen

## A.1 Introduction

The FPM-200W series touchscreen uses 10 points advanced projected capacitive touch technology to provide convenience and accurate sensing capacity. The touchscreen was specially designed for tough industrial environments, and has been approved by FCC Class A standards.

## A.2 Touchscreen Specifications (15.6"/21.5")

### A.2.1 Typical Optical Features

**Table A.1: Typical Optical Features**

Specification	15.6"	21.5"
Light Transmission	≥88%	≥88%
Haze	< 11%	< 1%

### A.2.2 Electrical Specifications

**Table A.2: Electrical Specifications**

Specification	15.6"	21.5"
Operation Voltage	5.5 V or below	5.5 V or below
Contact Current	70 mA (Maximum)	70 mA (Maximum)

### A.2.3 Environment Specifications

**Table A.3: Environment Specifications**

Specification	15.6"	21.5"
Operating Temperature	0°C ~ +50°C	0°C ~ +50°C
Storage Temperature	-20°C~ +60°C	-20°C~ +60°C
Humidity	10%~95%, non-condensing	10%~95%, non-condensing

## A.3 Installing Driver for Windows OS

Drivers are not needed for Windows 7/8/10 users, however if your system operating system is Windows XP, you will need to install FPM-200W driver. FPM-200W drivers can be found and downloaded from Advantech website using the link below.

[http://support.advantech.com/Support/DownloadSRDetail\\_New.aspx?SR\\_ID=1-WQR-PJM&Doc\\_Source=Download](http://support.advantech.com/Support/DownloadSRDetail_New.aspx?SR_ID=1-WQR-PJM&Doc_Source=Download)



## [www.advantech.com](http://www.advantech.com)

Please verify specifications before quoting. This guide is intended for reference purposes only.

All product specifications are subject to change without notice.

No part of this publication may be reproduced in any form or by any means, such as electronically, by photocopying, recording, or otherwise, without prior written permission from the publisher.

All brand and product names are trademarks or registered trademarks of their respective companies.

© Advantech Co., Ltd. 2025