

# RITY-1539

15" XGA Flat Touch Panel PC  
with Intel® Alder Lake N Processor



## Features

- Intel® Alder Lake-N x7211E
- 4 x USB 3.0, 2 x USB 2.0
- 2 x Gigabit LAN
- 1 x HDMI Port, COM x2
- IP65 for panel, IP41 for back



+12V



5 wires resistive



Fanless



0°C ~ 40°C

## Specifications

### System Information

Processor	Intel® Alder Lake-N x7211E
System Memory	DDR5 4800MHz 8GB 262pin SO-DIMM
Watchdog Timer	System reset, programmable 1-255 sec or min
TPM	2.0

### Expansion

Expansion	1, M.2 E-Key 2230, PCIe+USB2.0, support WiFi + Bluetooth Module
-----------	---

### Storage

Storage	1 x 2.5" SSD
---------	--------------

### Audio

Audio Codec	Realtek Audio HDA codec
Audio Interface	Line-out
Speaker Output	2 x 2W

### Power Requirement

DC Input	+12V
DC Input Connector	DC Jack screw type

### Software Support

OS	Win 10/ Win 11/ Linux
----	-----------------------

### Certification

Certification Information	CE/ FCC Class A/ VCCI/ UKCA/ LVD
---------------------------	----------------------------------

### External I/O

USB Port	4 x USB 3.0/ 2x USB 2.0
Audio Port	1 x MIC + LINE out
LAN Port	2 x RJ-45
COM Port	2 x COM
HDMI Port	1 x HDMI

### Panel

LCD Size	15", 4:3
Display Type	XGA
Resolution	1024 x 768
Pixel Pitch	0.297 (H) x 0.297 (W)
Luminance	300 cd/m <sup>2</sup>
Contrast Ratio	2500
Viewing Angle	88 (U), 88 (D), 88 (L), 88 (R)
Backlight	LED
Touch Type	5 wire resistive
Touch Interface	USB

### I/O

COM Port	2 x RS-232/422/485 (BIOS) 1 x RS-232
----------	---

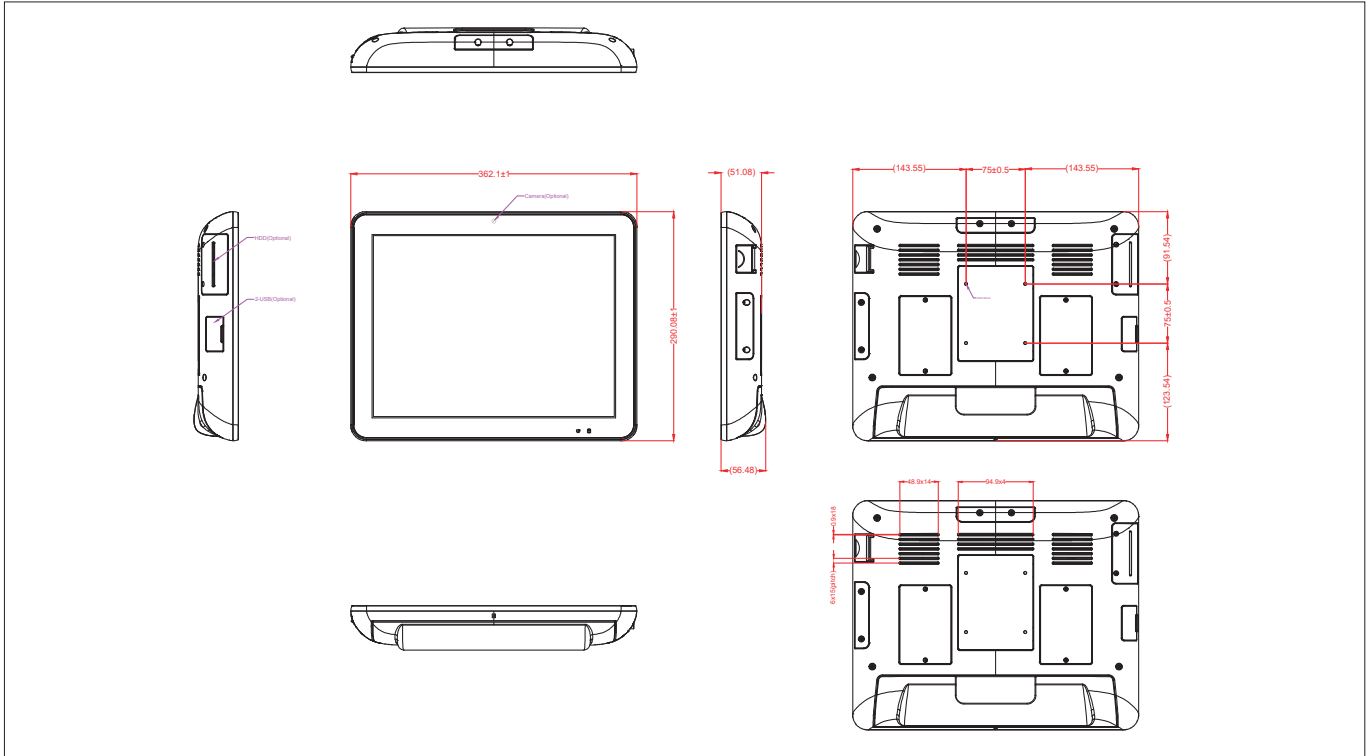
### Mechanical & Environmental

Operating Temp.	0°C ~ 40°C (32°F ~ 104°F)
Storage Temp.	0°C ~ 60°C (14°F ~ 140°F)
Operating Humidity	40°C @ 95% Relative Humidity, Non-condensing
Dimension (W x L x H)	362.1 x 290.08 x 51 mm
Shock Test	With CF/SSD : 10Grms, IEC 60068-2-27, half sine, 11ms
IP Rating	IP 65 for front panel, IP 41 for back
Power Mode	AT/ATX (ATX is default setting)
System Fan	Fanless
Construction - Front	Black/ White plastic
Construction - Rear	Black/ White plastic

### Component

Adapter	Input: 100 ~ 240Vac/ 50 ~ 60Hz Output: 60W adapter (12V @ 5A adapter)
---------	--

## Mechanical Drawing



## Ordering Information

P/N	Touch Type	Processor	Memory	Storage	Resolution	Luminance	COM	USB	LAN	Power Input	Operating Temp.	OS Support
RITY-1539-A1-01R (Black/Stand)	Resistive	x7211E	1-262-pin DDR5 5600MHz SO-DIMM Support Up to 16GB	1 x 2.5 Drive bay	1024 x 768	300 cd/m <sup>2</sup>	2	6	2	+12V	0°C ~ 40°C	Win 10, Win 11, Linux
RITY-1539-A1-02R (Black/VESA Mount)	Resistive	x7211E	1-262-pin DDR5 5600MHz SO-DIMM Support Up to 16GB	1 x 2.5 Drive bay	1024 x 768	300 cd/m <sup>2</sup>	2	6	2	+12V	0°C ~ 40°C	Win 10, Win 11, Linux

## Packing List

Item	P/N	Quantity
RITY-1539	RITY-1539	1
RityPOS Black VESA Kit 75 x 75 (Wall Mount)	ACC-RITY-VESA-02R	1
AC/DC adapter 12V/5A 90 Screw Type	ACC-ADP-060N-08R	1

## Optional Items

Item	P/N
EU Power Cord	E1702031000R
US Power Cord	E1702031833R
JP Power Cord	E1702031834R
UK Power Cord	E170P060380R

## I/O Overview

